

CE

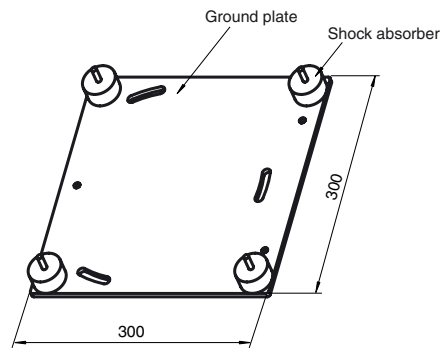
Model Number

Damping UC SLP/SLC

Shock absorber as ramming protector
for all series SLP/SLC devices

Ramming protector

Dimensions



Technical data

Ambient conditions

Storage temperature -40 ... 85 °C (-40 ... 185 °F)

Mechanical specifications

Material Diecast zinc
Mounting Mounting accessories included