



Model Number

IPH-F15-V1

LF read/write head for IDENTControl

Features

- Dual-LED for function display
- Connection via V1 (M12 x 1) plug connection
- Degree of protection IP67
- Including robust stainless steel mounting plate with only 2 mounting points

Accessories

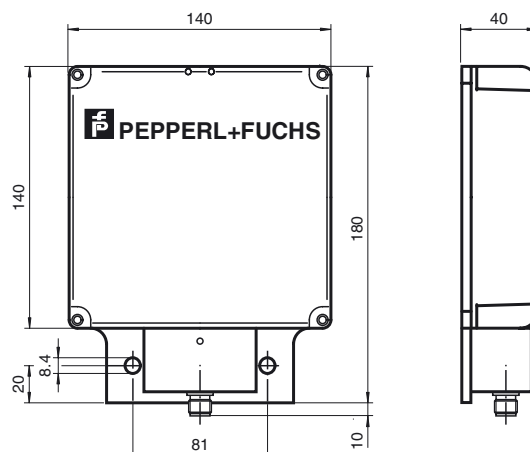
V1-G-5M-PUR-ABG-V1-W

Connecting cable, M12 to M12, PUR cable 4-pin, shielded

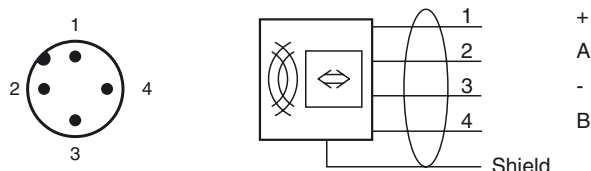
V1-G-10M-PUR-ABG-V1-W

Connecting cable, M12 to M12, PUR cable 4-pin, shielded

Dimensions



Electrical connection



Technical data

General specifications

Operating frequency	125 kHz
Transfer rate	2 kBit/s
Sensing range	
Read distance	2 ... 155 mm
Write distance	2 ... 140 mm
Width	145 mm
Operating distance	maximum: 140 mm
UL File Number	E87056 only from low voltage, limited energy source (SELV or PELV) or listed Class 2 source

Indicators/operating means

LED green/yellow	green: power on green flashing: read/write attempt performed yellow: data carrier detected
------------------	--

Electrical specifications

Power consumption	P_0	$\leq 1.2 \text{ W}$
Supply		from the IDENTControl

Directive conformity

Radio and telecommunication terminal equipment	
Directive 2014/53/EU	EN 301489-1 V1.8.1 (2008-04), EN 301489-3 V1.4.1 (2002-08), EN 300330 V2.1.1 (2017), EN 60950-1:2006

Standard conformity

Electromagnetic compatibility	EN 61326
Degree of protection	EN 60529

Ambient conditions

Ambient temperature	-25 ... 70 °C (-13 ... 158 °F)
Storage temperature	-40 ... 85 °C (-40 ... 185 °F)

Mechanical specifications

Degree of protection	IP67
Connection	M12 x 1 connector
Material	
Housing	PBT/stainless steel/aluminum
Encapsulation compound	Fermadur
Installation	
Distance between two heads	Multiplex on: $\geq 180 \text{ mm}$ Multiplex off: $\geq 1100 \text{ mm}$
Mass	approx. 1200 g



Warning!
Hot surfaces
Be careful not to burn your fingers when handling the device! After shutting down the device, wait at least half an hour before handling the device.

Release date: 2018-06-07 11:20 Date of issue: 2018-06-07 127699_eng.xml