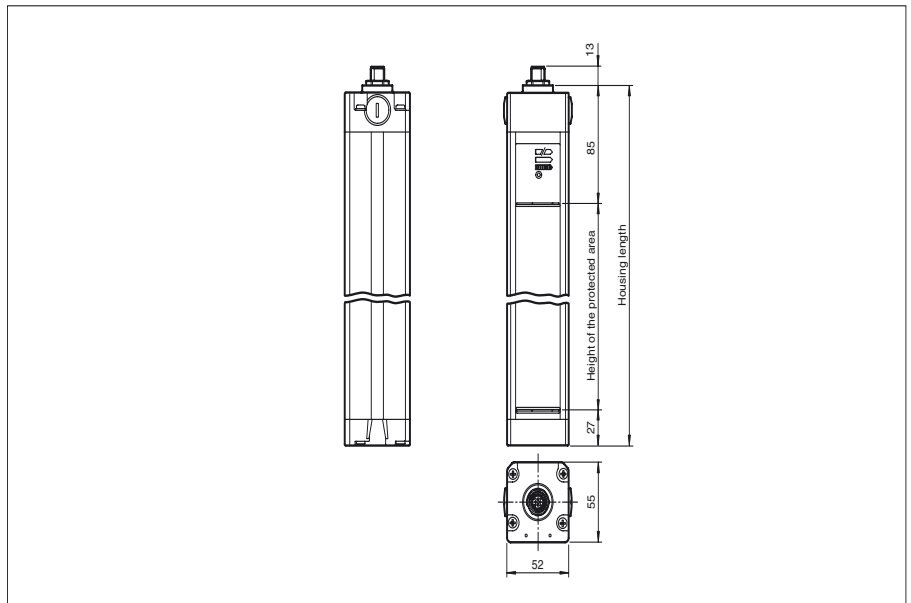




Dimensions



Model Number

SLC30-900/129

with 2 separate fail-safe semiconductor outputs

Features

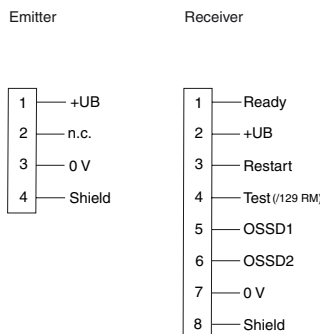
- Sensing range up to 15 m
- Resolution 30 mm (hand protection)
- Self-monitoring (type 4 according to IEC/EN 61496-1)
- Master/Slave detection, Plug and Play
- Degree of protection IP67
- Integrated function display
- Pre-fault indication
- Safety outputs OSSD in potential-separated semiconductor version
- Protective field height up to 1800 mm
- Start/Restart disable preset by Option /129
- Integrated relay monitor

Accessories

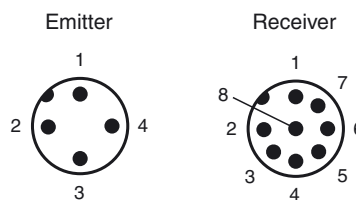
PG SLC-900
Protective glass panes for SLC series

BA SLC
laser alignment aid for safety light curtains series SLC

Electrical connection



Pinout



Release date: 2017-12-11 10:39 Date of issue: 2017-12-11 128359_eng.xml

Technical data**System components**

| | |
|----------|-----------------|
| Emitter | SLC30-900-T |
| Receiver | SLC30-900-R/129 |

General specifications

| | |
|---------------------------------------|--|
| Effective detection range | 0.2 ... 15 m |
| Light source | IRED |
| Light type | modulated infrared light |
| LED risk group labelling | exempt group |
| Tests | IEC/EN 61496 |
| Safety type according to IEC/EN 61496 | 4 |
| Width of protected area | 0.2 ... 15 m |
| Protection field height | 900 mm |
| Number of beams | 48 |
| Operating mode | Startup/restart disable preset with Relay monitor (preset) |
| Optical resolution | 30 mm |
| Angle of divergence | < 5 ° |

Functional safety related parameters

| | |
|--------------------------------|----------|
| Safety Integrity Level (SIL) | SIL 3 |
| Performance level (PL) | PL e |
| Category | Cat. 4 |
| Mission Time (T _M) | 20 a |
| PFH _d | 1.03 E-8 |
| Type | 4 |

Indicators/operating means

| | |
|-----------------------|--|
| Operation indicator | 7-segment display in emitter |
| Diagnostics indicator | 7-segment display in receiver |
| Function indicator | in receiver: LED red: OSSD off LED green: OSSD on LED yellow: Protected area free, system start-ready |
| Pre-fault indicator | LED orange |
| Control elements | Transmission coding |

Electrical specifications

| | | |
|------------------------|----------------|--------------------------------------|
| Operating voltage | U _B | 24 V DC (-30 %/+25 %) |
| No-load supply current | I ₀ | Emitter: ≤ 100 mA receiver: ≤ 150 mA |
| Protection class | | III |

Input

| | |
|--------------------|---------------|
| Activation current | approx. 10 mA |
| Activation time | 0.03 ... 1 s |
| Function input | Start release |

Output

| | |
|-------------------|---|
| Safety output | 2 separated fail safe semiconductor outputs |
| Signal output | 1 PNP, max. 100 mA for start readiness |
| Switching voltage | Operating voltage -2 V |
| Switching current | max. 0.5 A |
| Response time | 18 ms |

Conformity

| | |
|-------------------|--------------------------|
| Functional safety | ISO 13849-1 |
| Product standard | EN 61496-1 ; IEC 61496-2 |

Ambient conditions

| | |
|---------------------|--------------------------------|
| Ambient temperature | 0 ... 55 °C (32 ... 131 °F) |
| Storage temperature | -25 ... 70 °C (-13 ... 158 °F) |
| Relative humidity | max. 95 %, not condensing |

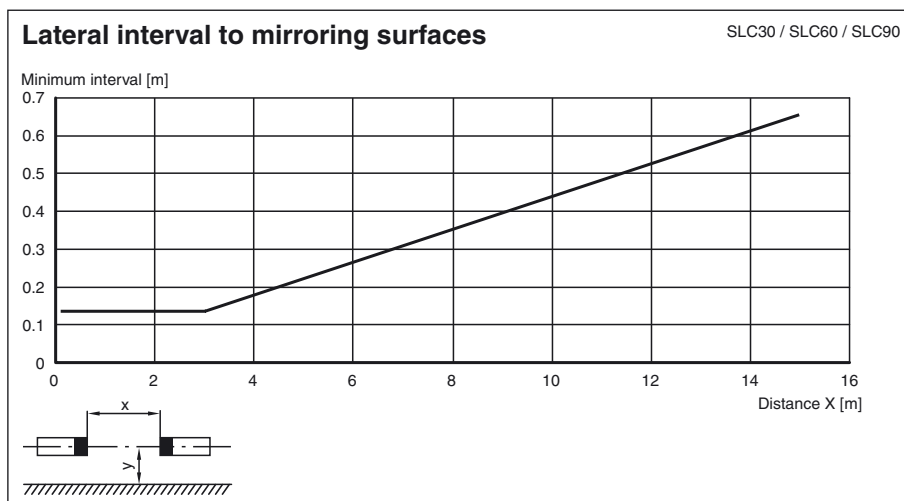
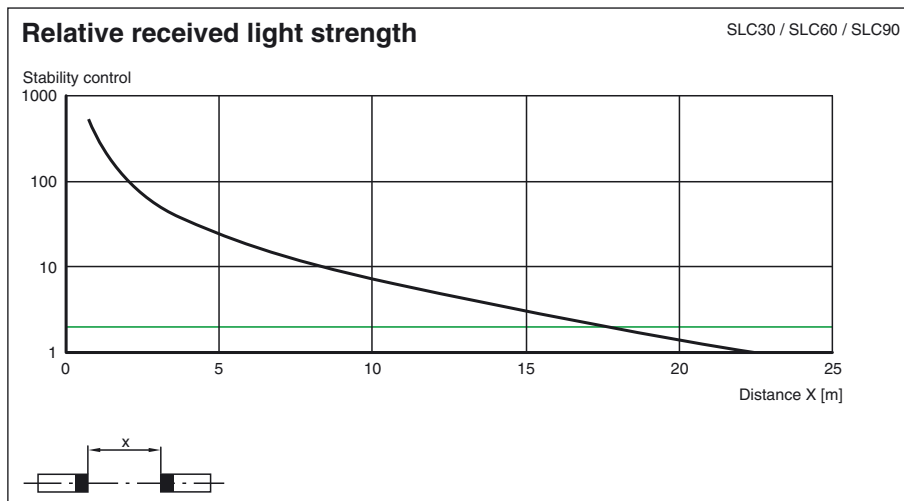
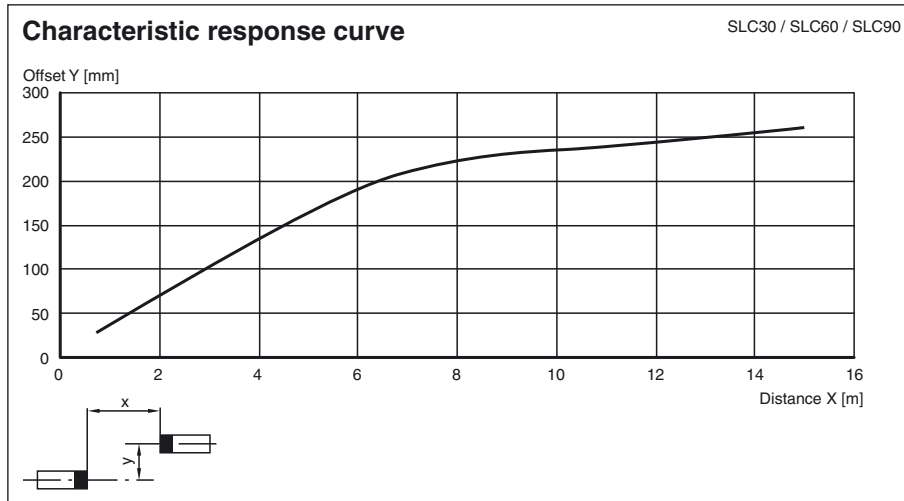
Mechanical specifications

| | |
|----------------------|---|
| Housing length L | 1010 mm |
| Degree of protection | IP67 |
| Connection | Emitter: terminal compartment with screw terminals, lead cross-section max. 1.5 mm ² Receiver: terminal compartment with screw terminals, lead cross-section max. 1.5 mm ² |
| Material | |
| Housing | extruded aluminum profile, RAL 1021 (yellow) coated |
| Optical face | Plastic pane |
| Mass | Per 3000 g |

Approvals and certificates

| | |
|---------------|--|
| CE conformity | CE |
| UL approval | cULus Listed |
| CCC approval | CCC approval / marking not required for products rated ≤36 V |
| TÜV approval | TÜV |

Curves/Diagrams



Release date: 2017-12-11 10:39 Date of issue: 2017-12-11 128359_eng.xml

Notes

Master slave mode

Refer to "General Notes Relating to Pepperl+Fuchs Product Information".

Master: SLC...-... (semiconductor)
or
SLC...-.../31 (relay)
Slave: SLC...-...-S

Using slaves makes it possible to lengthen protective fields or to form protective fields that lie in more than just one level. When you select slaves that can be connected, you should take into consideration that the maximum number of 96 light rays must not be exceeded.

There are slaves for transmitters and receivers. These may simply be connected to the master light curtain. As many as 2 slaves may be connected respectively to the transmitter and receiver unit.

Installation:

- 1 The end cap should be screwed off for the light curtain (without cable gland).
- 2 The plug-in jumper on the connectors of the printed circuit board, which is now visible, should be removed.
- 3 The slave is designed so that the cap located on the cable connector can be plugged directly onto the open end of the light curtain with the printed circuit board.
- 4 After you have screwed on the connection cap, the system is complete.

System accessories

- Mounting set SLC
- Test rods SLC14/SLC30/SLC60
- Protective glass pieces for SLC (to protect the optically functional surface)
- Lateral screwed connection SLC
- Profile alignment aid
- Laser alignment aid SLC
- Mirror for SLC (for securing hazardous areas on multiple sides)
- Ground pillar UC SLP/SLC
- Housing for pillar
Enclosure UC SLP/SLC
- Collision protector
Damping UC SLP/SLC