

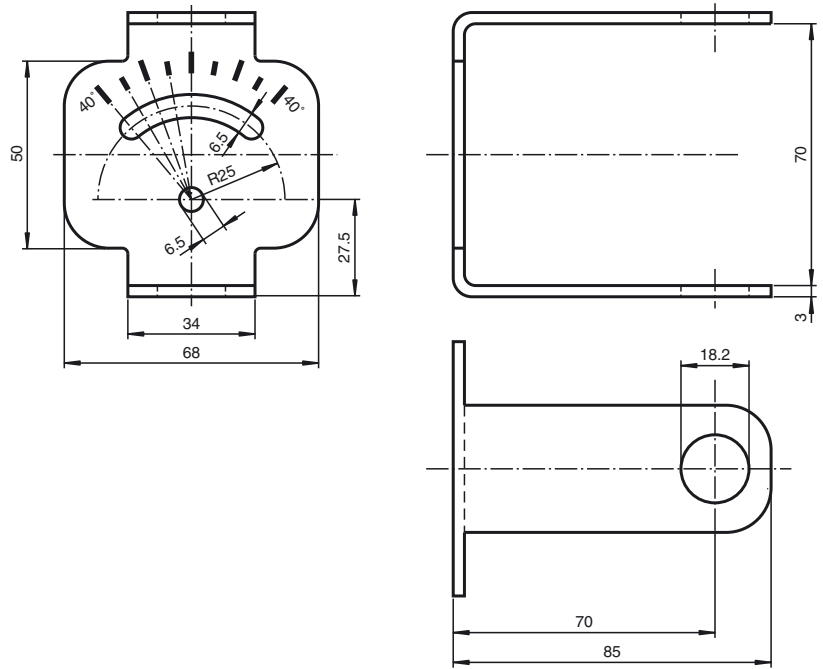


Model Number

MH-UDB01

Mounting bracket for double sheet monitor

Dimensions



Technical data

Mechanical specifications

Material	Stainless steel
Mass	195 g

Release date: 2018-07-17 07:52 Date of issue: 2018-07-17 129584_eng.xml

Refer to "General Notes Relating to Pepperl+Fuchs Product Information".

Pepperl+Fuchs Group
www.pepperl-fuchs.com

USA: +1 330 486 0001
fa-info@us.pepperl-fuchs.com

Germany: +49 621 776 4411
fa-info@de.pepperl-fuchs.com

Singapore: +65 6779 9091
fa-info@sg.pepperl-fuchs.com