



Model Number

U-P6-B6-V15B

Base for PROFIBUS DP, plug-in connection

Features

- PROFIBUS DP acc. to EN 50170
- M12 round connection for supply
- M12 round connection for BUS (B-coded)
- Complete read/write functionality via the PROFIBUS DP
- Transmission of up to 7 double words, 32 bit each, in one cycle
- Connectable bus termination
- Field device with protection degree IP67

Function

The base is used in combination with an upper part, the IPT*-FP read/write station. The device is operated as a slave on the PROFIBUS DP. The device makes available the complete read/write functionality. Up to 32 bytes are transmitted per cycle. Of these, up to 7 double words, each with 32 bits, are available to the user. The rounded connector M12 for BUS and supply allows a rapid assembly.

Matching system components

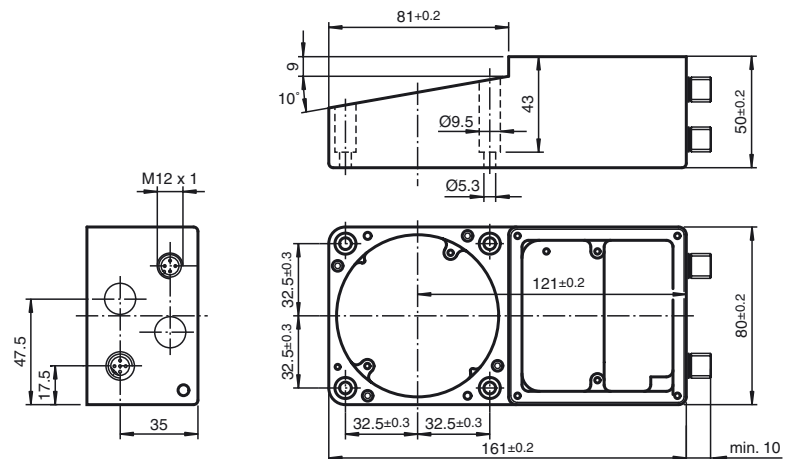
IPT1-FP

Read/write station

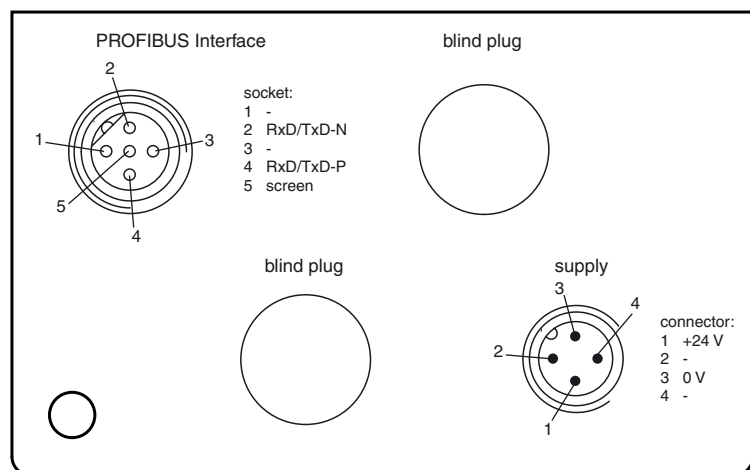
IPT-FP

Read/write station

Dimensions



Electrical connection



Technical data

Indicators/operating means

DIP-switch	Setting the station address bus connection ON = active OFF = non-active
------------	---

Electrical specifications

Rated operational voltage	U_e	20 ... 30 V DC, ripple 10 % $_{SS}$, PELV
Power consumption	P_0	max. 5 W with read/write head IPT*-FP

Electrical isolation

Operating voltage/interface	functional insulation acc. to DIN EN 50178, rated insulation voltage 50 V $_{eff}$
-----------------------------	--

Interface

Physical	RS 485
Protocol	PROFIBUS DP acc. to EN 50170
Transfer rate	9.6; 19.2; 93.75; 187.5; 500; 1500 kBit/s 3; 6; 12 Mbit/s self-synchronizing

Ambient conditions

Ambient temperature	-25 ... 70 °C (-13 ... 158 °F)
Storage temperature	-40 ... 85 °C (-40 ... 185 °F)
Climatic conditions	air humidity max. 95 %

Mechanical specifications

Protection degree	IP67 according to EN 60529 with IPT*-FP
Connection	connector M12 x 1, 4-pin for supply; M12 x 1 device socket, 5-pin, B-coded for PROFIBUS

Material

Housing	aluminum, black anodized
---------	--------------------------

Accessories**ICZ-3T-0,2M-PUR ABG-V15B-G**

Y connection cable for PROFIBUS

ICZ-TR-V15B

Terminal resistor for PROFIBUS

V15B-G

Cable socket, M12, for PROFIBUS, adjustable

V15SB-G

Cable connector, M12, for PROFIBUS, adjustable

V15B-G-0,6M-PUR ABG-V15B-G

M12 connection cable for PROFIBUS