



Model Number

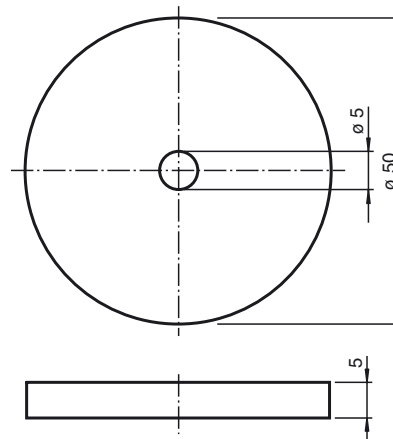
IPC02-50P

Code carrier

Features

- Battery-free code carrier
- 40 bit fix code
- Readable from both sides
- Mounting holes for simple installation
- Degree of protection IP68

Dimensions



Technical data

General specifications

Operating frequency	125 kHz
Transfer rate	2 kBit/s

Memory

Chip Type	EM4102 Unique (EM Microelectronic)
Read cycles	unlimited
Data retention period	> 10 years

Standard conformity

Degree of protection	EN 60529
----------------------	----------

Ambient conditions

Ambient temperature	-20 ... 85 °C (-4 ... 185 °F)
Storage temperature	-20 ... 85 °C (-4 ... 185 °F)

Mechanical specifications

Degree of protection	IP68
Material	
Housing	PC (Polycarbonate)
Encapsulation compound	Epoxy
Installation	
In air	yes
Construction type	Cylindrical

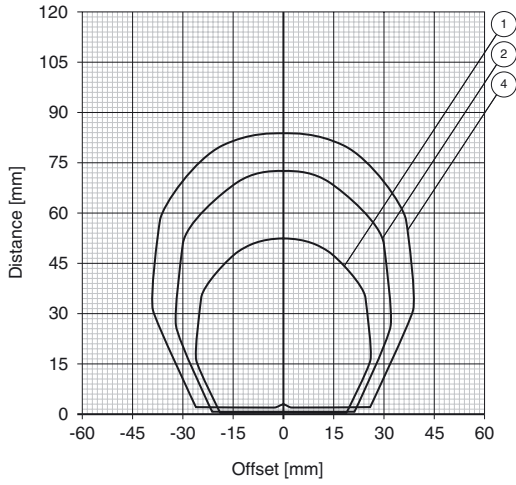
Notes

The transponder can be read from either side.

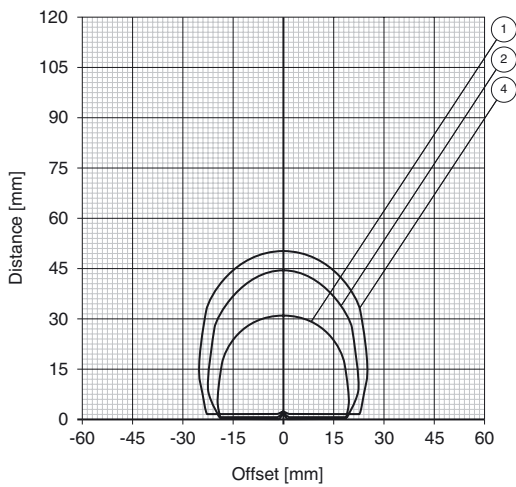
Read/write distances

- ① IPH-18GM-V1 ③ IPH-F61 ⑤ IPH-FP-V1 ⑦ IPT1-FP-V1
- ② IPH-30GM-V1 ④ IPH-L2-V1 ⑥ IPH-F15-V1

Reading range in air IPC02-50..



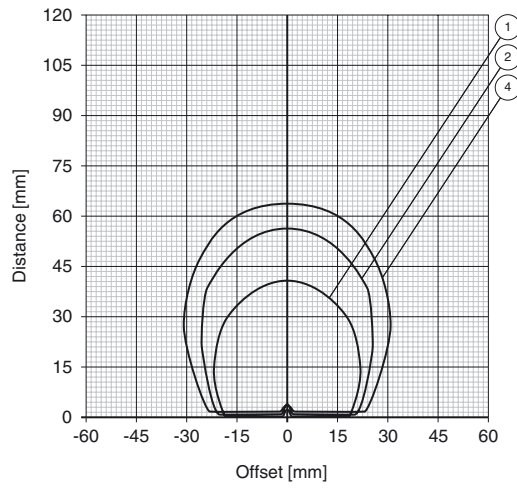
Reading range on aluminium IPC02-50..



Release date: 2019-01-24 10:21 Date of issue: 2019-01-25 183298_eng.xml



Reading range on steel IPC02-50..



Release date: 2019-01-24 10:21 Date of issue: 2019-01-25 183298_eng.xml

Refer to "General Notes Relating to Pepperl+Fuchs Product Information".

Pepperl+Fuchs Group
www.pepperl-fuchs.com

USA: +1 330 486 0001
fa-info@us.pepperl-fuchs.com

Germany: +49 621 776 4411
fa-info@de.pepperl-fuchs.com

Singapore: +65 6779 9091
fa-info@sg.pepperl-fuchs.com