



Model Number

RMS-G-RC

Radar sensor

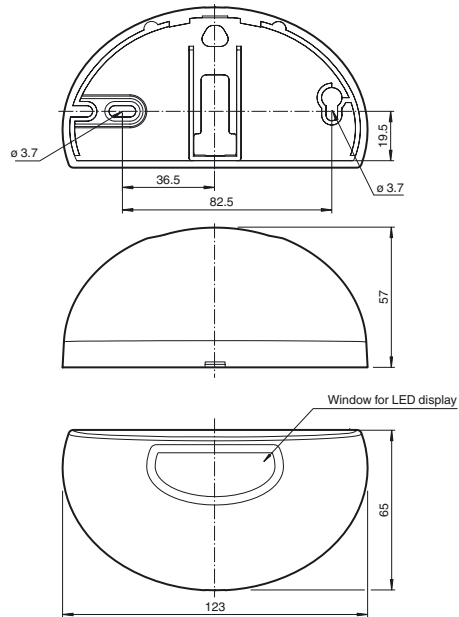
Features

- Industrial gate opener with the ability to differentiate between people and vehicles
- Extra-wide detection area and long detection range
- Direction detection
- Easily programmable
- Programmable by remote control

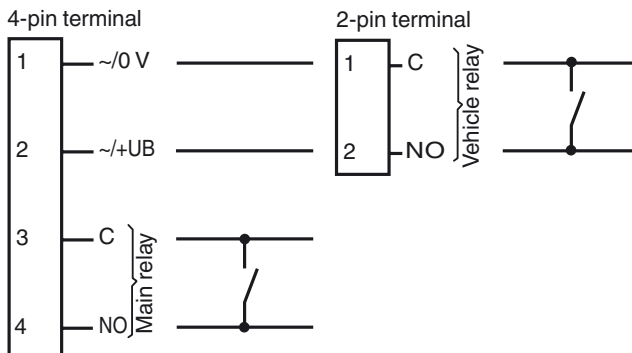
Product information

The microprocessor-controlled microwave motion sensors based on the latest 24 GHz technology provide a high degree of reliability even in difficult operating conditions and can be used with all automatic (industrial) doors up to a height of 7 m. The RMS-G sensors are equipped with intelligent functions, such as vehicle detection, to enable them to be used in a wide variety of applications. The special industrial door microwave sensor can be configured so that the industrial door only opens when a vehicle approaches it, while passing pedestrians are ignored. The sensor differentiates between people and vehicles.

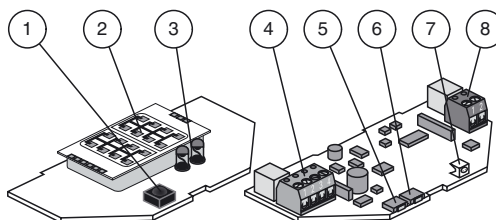
Dimensions



Electrical connection



Indicators/operating means



| | |
|---|-------------------------------------|
| 1 | IR receiver |
| 2 | Antenna |
| 3 | IR-transmitter |
| 4 | Terminals (power supply/main relay) |
| 5 | Pushbutton / Menu |
| 6 | Pushbutton / Value |
| 7 | LED (red/green) |
| 8 | Terminals (vehicle relay) |

Release date: 2017-11-28 09:40 Date of issue: 2017-12-06 184852_eng.xml

Refer to "General Notes Relating to Pepperl+Fuchs Product Information".

Pepperl+Fuchs Group
www.pepperl-fuchs.com

USA: +1 330 486 0001
fa-info@us.pepperl-fuchs.com

Germany: +49 621 776 4411
fa-info@de.pepperl-fuchs.com

Singapore: +65 6779 9091
fa-info@sg.pepperl-fuchs.com

Technical data

General specifications

| | |
|-----------------------------------|--|
| Sensing range | 7000 x 6000 mm (DxW) at 5000 mm mounting height and 30° tilt angle 8000 x 5000 mm (DxW) at 7000 mm mounting height and 30° tilt angle |
| Function principle | Microwave module |
| Detection speed | min. 0.1 m/s , max. ... 5 m/s (18 km/h) |
| Setting angle | 0 ... 40 ° in 5 ° increments |
| Operating frequency | 24.15 ... 24.25 GHz K-Band |
| Operating mode | Radar motion sensor |
| Transmitter radiated power (EIRP) | < 20 dBm |

Functional safety related parameters

| | |
|--------------------------------|-------|
| MTTF _d | 620 a |
| Mission Time (T _M) | 20 a |
| Diagnostic Coverage (DC) | 0 % |

Indicators/operating means

| | |
|--------------------|---|
| Function indicator | LED red/green |
| Control elements | Programming push-button for selection of operating modes : Direction detection , Cross traffic suppression , Vehicle detection , Switching type |
| Control elements | Adjustment for off delay |
| Control elements | Programming via 2 keys , alternative via remote control (Accessories ordered separately) |

Electrical specifications

| | | |
|------------------------|----------------|---------------------------------|
| Operating voltage | U _B | 12 ... 36 V DC , 12 ... 28 V AC |
| No-load supply current | I ₀ | ≤ 50 mA at 24 V DC |
| Power consumption | P ₀ | ≤ 1 W |

Output

| | | |
|--------------------|------------------------|------------------------|
| Switching type | NO/NC | |
| Signal output | 2 relay outputs | |
| Switching voltage | max. 48 V AC / 48 V DC | |
| Switching current | max. 0.5 A AC / 1 A DC | |
| Switching power | max. 24 W / 60 VA | |
| De-energized delay | t _{off} | 0.2 ... 5 s adjustable |

Directive conformity

| | |
|--|---|
| Radio and telecommunication terminal equipment | |
| Directive 2014/53/EU | yes This device can be used in all countries within the European Union. Use in North America is not permitted. In other countries, all applicable national regulations must be observed. |

Ambient conditions

| | |
|-----------------------|--------------------------------|
| Operating temperature | -20 ... 60 °C (-4 ... 140 °F) |
| Storage temperature | -30 ... 70 °C (-22 ... 158 °F) |
| Relative humidity | max. 90 % non-condensing |

Mechanical specifications

| | |
|----------------------|---|
| Mounting height | max. 7000 mm |
| Degree of protection | IP54 |
| Connection | plug-in screw terminals 4-pin and 2 pin , 8 m connecting cable included with delivery |
| Material | |
| Housing | ABS, anthracite |
| Mass | 120 g |
| Dimensions | 123 mm x 65 mm x 57 mm |

Suitable series

| | |
|--------|-----|
| Series | RMS |
|--------|-----|

Approvals and certificates

| | |
|----------------|----------------|
| EAC conformity | TR CU 020/2011 |
|----------------|----------------|

Functional Principle

Radar sensors are microwave sensors that adopt the principle of Doppler radar. The most important requirement for radar detection is that the object to be detected is moving. The radar sensors emit microwaves of a defined frequency in order to detect people and large objects moving within the specified velocity range of the radar sensor.

The microwaves emitted by the emitter are reflected back from the ground or other surfaces to the receiver. If there is no motion in the monitored zone, the emitted and reflected frequencies are identical. Nothing is detected. If people, animals or objects are moving in the monitored zone, the reflected frequency changes and therefore triggers a detection.

Based on the latest 24 GHz technology with integrated microprocessor control, these sensors provide a high level of reliability, even in difficult operational conditions. The 24 GHz frequency, known as "K-band," is reserved by CETECOM for this application area all round the world.

The RMS-G series of sensors are equipped with intelligent functions to enable them to be used in a wide variety of applications. The cross-traffic suppression system can be configured so that the door only opens when vehicles or people approach it, while passing pedestrians are ignored.

Typical applications

- Opening impulse sensor for industrial doors
- Motion sensor for people and objects
- Activation sensors for detecting vehicles traveling at a maximum of 60 km/h (RMS-G-RC-HS)

Detection area



Accessories

RMS Weather cap

All-weather hood for RMS series microwave sensors, for ceiling and wall installation

RMS Remote Control

Infrared remote control for RMS series and RAVE

RMS Antenna broad

Radar antenna for wide sensing range

RMS/RaDec Ceiling Kit wh

Ceiling mount kit for radar sensors in the RMS and RaDec Series

Other suitable accessories can be found at www.pepperl-fuchs.com

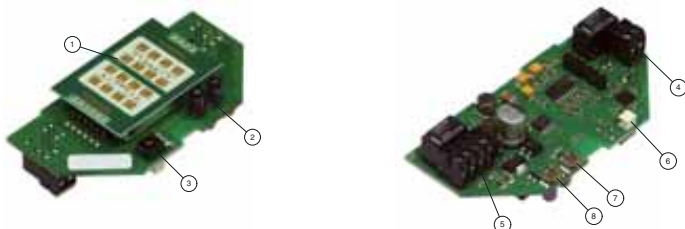
Release date: 2017-11-28 09:40 Date of issue: 2017-12-06 184852_eng.xml

With direction detection, the opening impulse can be triggered based on the direction of motion. Depending on the setting, only movements towards or away from the sensor are detected.

settings

The RMS-G-RC sensor is adjusted in programming mode directly on the device using two buttons: --> 8 = pushbutton/menu; 7 = button/value. The flashing sequence of the LEDs indicates the settings. With the RMS remote control, available as an accessory, the sensor can be easily and quickly programmed from the ground. The bidirectional infrared remote control with an LCD display and self-explanatory menu interface has a range of 10 m. Even sensors with considerable installation heights can be precisely and easily adjusted.

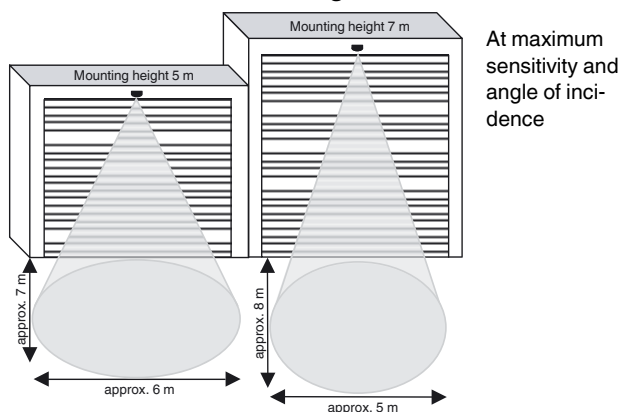
Model number for remote control: RMS remote control



- 1) Antenna
- 2) IR emitter diode
- 3) IR receiver diode
- 4) Screw terminal (vehicle relay)
- 5) Screw terminal (voltage/main relay)
- 6) LED indicator
- 7) Button/value
- 8) Button/menu

The following properties are adjustable:

1. Dimensions of the sensing area



2. Dimensions of the sensing area

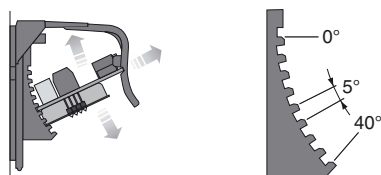
The size of the sensing area can be changed by adjusting the sensitivity using the buttons or remote control.



- High sensitivity = Large area
- Low sensitivity = small area

3. Position of the sensing area:

The sensing area can be rotated in 5° increments from 0° to 40°. The printed circuit board can also be inserted at an angle.



4. Detection without direction detection

Release date: 2017-11-28 09:40 Date of issue: 2017-12-06 184852_eng.xml

Forward/backward

5. Detection with direction detection

Forward (towards the sensor)
Backward (away from the sensor)

6. Cross-traffic suppression

Without suppression: door opens even in the event of cross-traffic
With suppression: door remains closed in the event of cross-traffic

7. Detection of people/vehicles

The sensor evaluates movements of people and vehicles in different ways and switches the main relay or both relays at the same time according to the setting.

The distinguishing between people/vehicles makes it possible to only open the door for vehicles. Approaching people must use the side entry.

8. Relay functions

The main relay always switches if it detects both people and vehicles.
The vehicle relay only switches if vehicle detection is switched on and if a vehicle is detected and there is no pedestrian traffic.

Function display



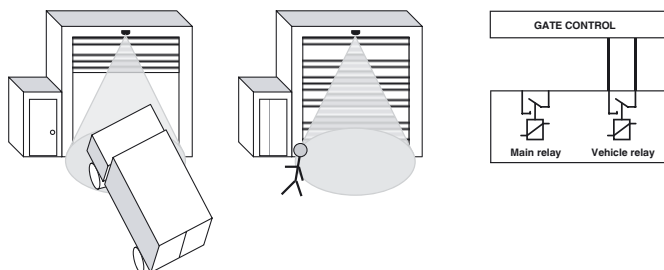
| | |
|--------------------------------------|--|
| LED green | Device ready for operation |
| LED red | Main relay is activated |
| LED quickly flashes green/red | Vehicle relay is activated |
| LED flashes green/red slowly | Initialization (for approx. 10 sec after switching on) |
| LED flashes green | Command received |
| LED flashes red | Fault |

**Application examples:
Distinguishes between people and vehicles**

Door with separate entry for people, door controller with 1 entry, vehicle detection switched on, only vehicle relay connected

The size of the sensing area can be changed by adjusting the sensitivity using the buttons or remote control.

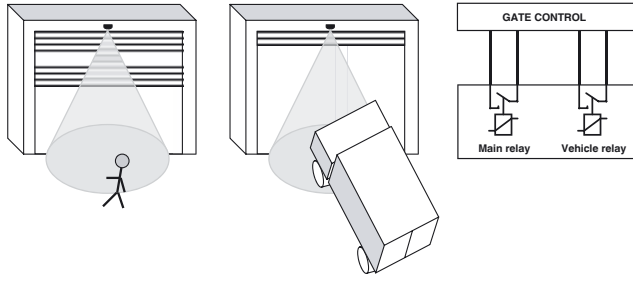
| | |
|--|--|
| Vehicle approaching | Person approaching |
| Vehicle relay switches (LED quickly flashes red/green) | Vehicle relay does not switch, door remains closed |
| The door opens | Person uses side entrance |



Door with no separate entry for people, door controller with two entries, vehicle detection switched on, main relay and vehicle relay connected

| | |
|---|---|
| Person approaching | Vehicle approaching |
| Main relay switches (LED lights up red) | Main relay and vehicle relay switch (LED quickly flashes green/red) |
| The door opens half-way | Door opens fully |

Release date: 2017-11-28 09:40 Date of issue: 2017-12-06 184852_eng.xml



Release date: 2017-11-28 09:40 Date of issue: 2017-12-06 184852_eng.xml

Refer to "General Notes Relating to Pepperl+Fuchs Product Information".

Pepperl+Fuchs Group
www.pepperl-fuchs.com

USA: +1 330 486 0001
fa-info@us.pepperl-fuchs.com

Germany: +49 621 776 4411
fa-info@de.pepperl-fuchs.com

Singapore: +65 6779 9091
fa-info@sg.pepperl-fuchs.com