



**Model Number**

**RMS Weather Cap**

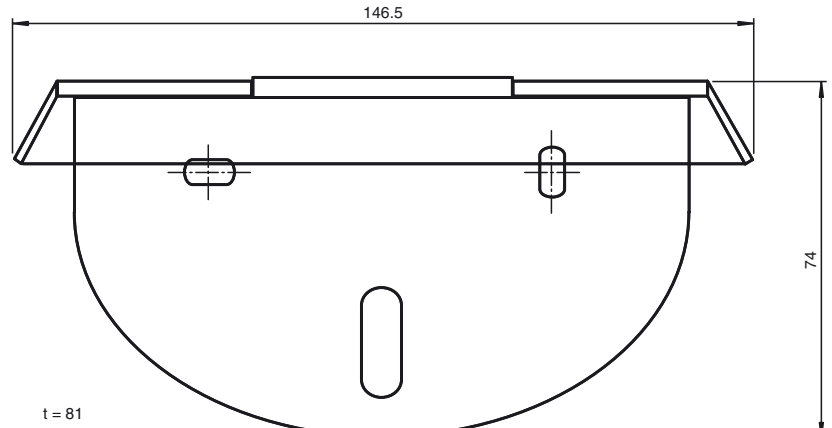
All-weather hood for RMS series micro-wave sensors, for ceiling and wall installation

**Features**

- Roof mounting- weather cap set for simple mounting on roofs and exposed positions
- Protection from adverse effects of weather such as rain, snow, etc.
- Installation without tools

Colour: black

**Dimensions**



**Technical data**

**Mechanical specifications**

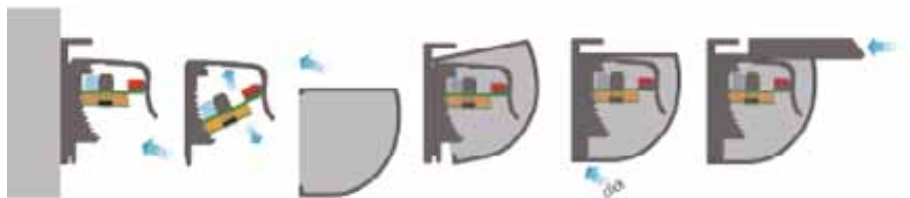
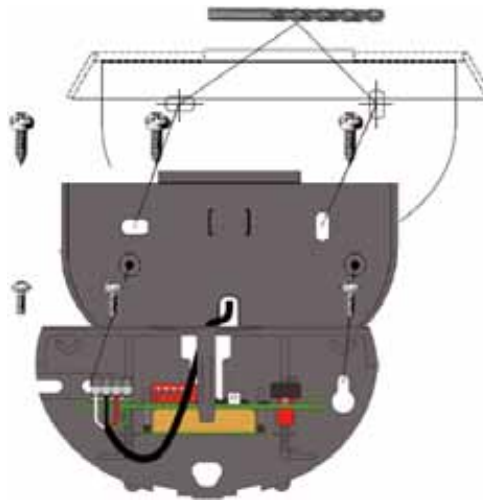
Material	plastic
Mounting	Mounting accessories included

**Suitable series**

Series	RMS
--------	-----

**Installation**

**Weather Cap Installation**



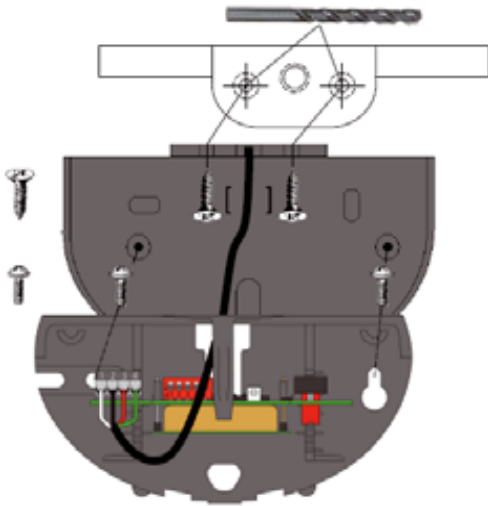
**Disassembling:**

- 1) Weather cap
- 2) Cover



Release date: 2018-07-04 09:33 Date of issue: 2018-07-04 184853\_eng.xml

### Ceiling Mounting



### Disassembling: Cover



Release date: 2018-07-04 09:33 Date of issue: 2018-07-04 184853\_eng.xml