



Model Number

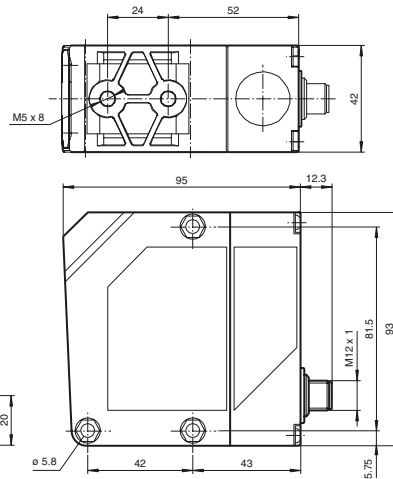
VDM35-30-R/20/105/122

Distance sensor
with 5-pin, M12 x 1 connector

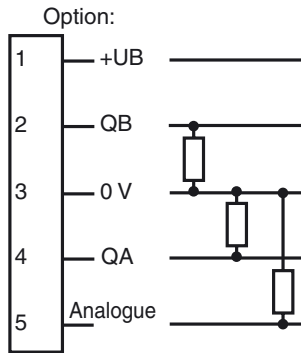
Features

- Can be aligned using an integrated pilot laser
- Adjustable switch outputs
- Not sensitive to ambient light
- Analog output 4 mA ... 20 mA

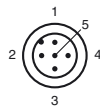
Dimensions



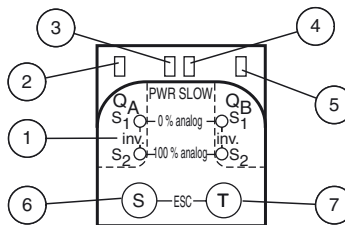
Electrical connection



Pinout



Indicators/operating means



1	LED Menue	red
2	LED QA	yellow
3	LED Fast	orange
4	LED Power	green
5	LED QB	yellow
6	Button Set	
7	Button Toggle	

Release date: 2016-05-24 12:20 Date of issue: 2016-05-24 186465_eng.xml

Refer to "General Notes Relating to Pepperl+Fuchs Product Information".

Pepperl+Fuchs Group
www.pepperl-fuchs.com

USA: +1 330 486 0001
fa-info@us.pepperl-fuchs.com

Germany: +49 621 776 4411
fa-info@de.pepperl-fuchs.com

Singapore: +65 6779 9091
fa-info@sg.pepperl-fuchs.com

Technical data**General specifications**

Measurement range	0.2 ... 30 m
Reference target	OFR-100/100
Light source	laser diode
Light type	modulated visible red light modulated infrared light
Laser nominal ratings	
Note	VISIBLE AND INVISIBLE LASER RADIATION , DO NOT STARE INTO BEAM
Laser class	Measurement laser: 1 Alignment laser: 2
Wave length	Measurement laser: 905 nm Alignment laser: 650 nm
Beam divergence	Measurement laser: 2 mrad Alignment laser: 1 mrad
Pulse length	Measurement laser: 6 ns Alignment laser: 0.25 μ s
Repetition rate	Measurement laser: 40 kHz Alignment laser: 1 kHz
Maximum optical power output	Measurement laser: 1.8 W Alignment laser: 3 mW
Measuring method	Time of flight measurement
Diameter of the light spot	45 mm x 60 mm at a distance of 30 m
Ambient light limit	5000 Lux
Temperature influence	analog typ. 0.1 %/oo/K, switch output typ. 0.05 %/oo/K

Indicators/operating means

Operation indicator	LED green
Function indicator	LED yellow: switching state (2x) , LED orange : Operating mode
Control elements	Control panel : Adjuster for switch point , Operating mode , Analog output (S - Set , T - Toggle)
Parameterization indicator	LED red (4x)

Electrical specifications

Operating voltage	U_B	18 ... 30 V DC , class 2
Ripple		10 % within the supply tolerance
No-load supply current	I_0	≤ 125 mA / 24 V DC
Time delay before availability	t_v	≤ 300 ms

Output

Switching type	light/dark on, switchable	
Signal output	2 PNP, short-circuit protected	
Switching current	max. 100 mA	
Measurement output	1 analog output 4 ... 20 mA, short-circuit/overload protected , $R_{max} = 500$ Ohm	
Voltage drop	U_d	≤ 2.4 V
Deviation of the characteristic curve		typ. $\leq \pm 60$ mm
Switching frequency	f	Fast: 17 Hz / Slow: 8 Hz
Response time		Fast: 30 ms / Slow: 65 ms
Repeat accuracy	R	Fast: typ. $\leq \pm 10$ mm / Slow: typ. $\leq \pm 5$ mm

Ambient conditions

Ambient temperature	-10 ... 50 °C (14 ... 122 °F)
Storage temperature	-40 ... 80 °C (-40 ... 176 °F)

Mechanical specifications

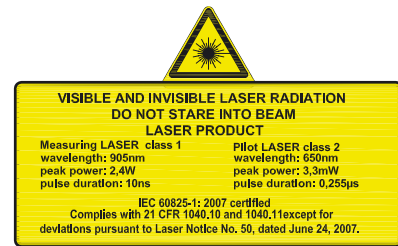
Degree of protection	IP67
Connection	5-pin, M12 x 1 connector
Material	
Housing	ABS
Optical face	PMMA
Mass	200 g

Compliance with standards and directives

Directive conformity	
EMC Directive 2004/108/EC	EN 60947-5-2
Standard conformity	
Laser class	IEC 60825-1:2007

Approvals and certificates

Approvals	CE, cULus
-----------	-----------

Laserlabel**Accessories****OMH-VDM35**

Mounting bracket

OMH-VDM35-01

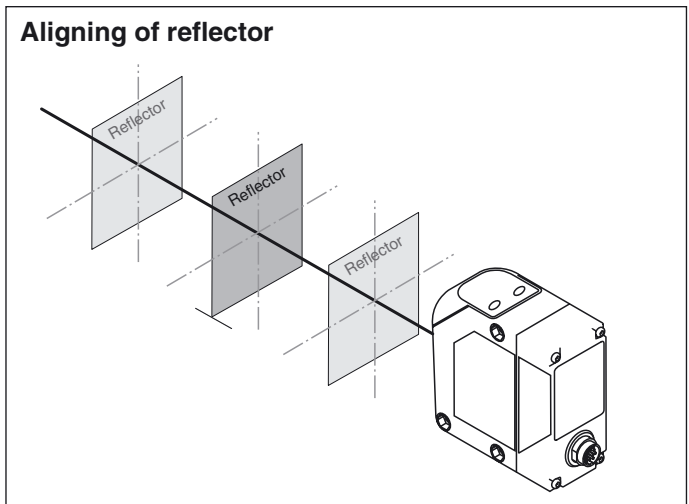
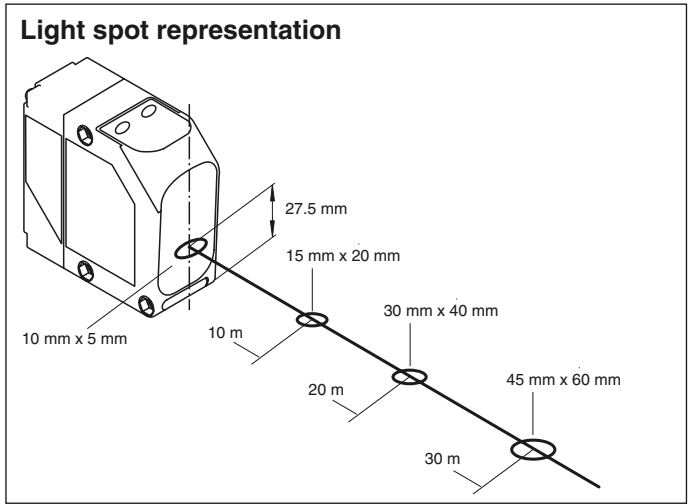
Adjustment set series VDM35

VDM35-AR

Alignment aid for VDM35 and VDM70 series

Other suitable accessories can be found at www.pepperl-fuchs.com

Curves/Diagrams



Release date: 2016-05-24 12:20 Date of issue: 2016-05-24 186465_eng.xml

Refer to "General Notes Relating to Pepperl+Fuchs Product Information".

Pepperl+Fuchs Group
www.pepperl-fuchs.com

USA: +1 330 486 0001
fa-info@us.pepperl-fuchs.com

Germany: +49 621 776 4411
fa-info@de.pepperl-fuchs.com

Singapore: +65 6779 9091
fa-info@sg.pepperl-fuchs.com