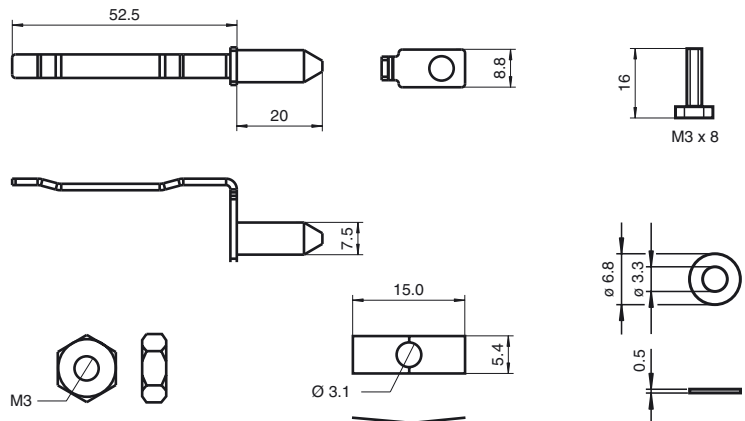


Dimensions



Model Number

Mounting Set AL2109 back board

Mounting aid

Features

- Mounting set for backboard mounting of the elevator light curtains AL2109
- Variety of possible uses in the areas of doors and elevators
- Simple and fast mounting

Mounting set for profile rear of elevator light curtains AL2109

Technical data

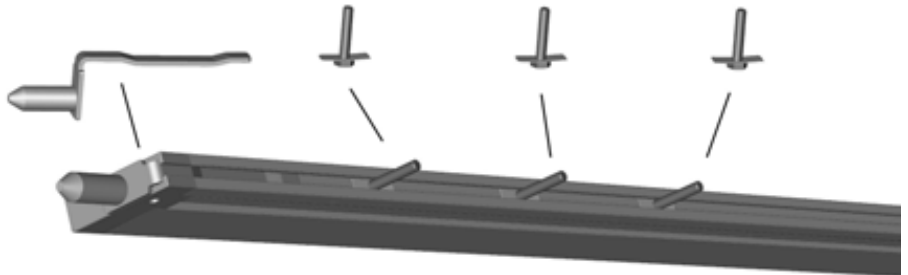
Mechanical specifications

Mass approx. 30 g

Suitable series

Series TTA AL21

Installation instructions



Release date: 2015-11-17 14:06 Date of issue: 2015-11-17 186003_eng.xml

Refer to "General Notes Relating to Pepperl+Fuchs Product Information".

Pepperl+Fuchs Group
www.pepperl-fuchs.com

USA: +1 330 486 0001
fa-info@us.pepperl-fuchs.com

Germany: +49 621 776 4411
fa-info@de.pepperl-fuchs.com

Singapore: +65 6779 9091
fa-info@sg.pepperl-fuchs.com