



**Model Number**

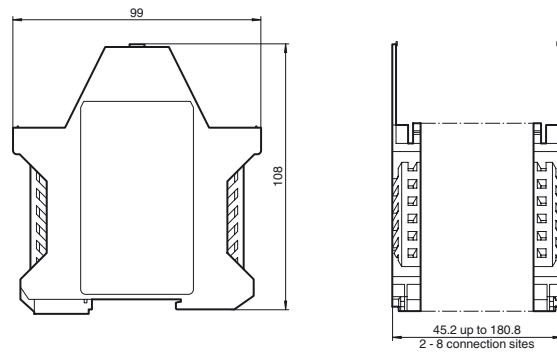
**SB4 Housing 4**

Empty housing for Evaluation unit SB4

**Features**

- Housing of the SafeBox with backplane for completion

**Dimensions**



**Technical data**

**Mechanical specifications**

Material Polyamide (PA)

**Approvals and certificates**

Approvals TÜV, cULus

**Model number**

Number of plug-in stations	Description	Housing width (mm)
2	SB4 Housing 2	45.2
3	SB4 Housing 3	67.8
4	SB4 Housing 4	90.4
5	SB4 Housing 5	113.0
6	SB4 Housing 6	135.6
7	SB4 Housing 7	158.2
8	SB4 Housing 8	180.8

Release date: 2018-09-26 11:15 Date of issue: 2018-09-26 190771\_eng.xml