



### Model number

**VAA-2E1A-F85A-S-V1**

AS-Interface EMERGENCY STOP button

### Features

- 2-channel, compelled connected
- Outwit-proof according to ISO 13850/EN 418
- Integrated illumination in the actuator
- TÜV-approval for system components is available
- Biased actuator for self-monitoring
- EMERGENCY STOP unlocking by turning or pulling
- M12 plug connection

### Function

This AS-Interface emergency shutoff button is a two-channel, positively driven contact, allowing the operation of personnel protection systems when used according to specification along with an AS-Interface safety monitor. It occupies one complete address in the AS-Interface strand.

When the safety monitor is properly configured, up to EN 954-1 Category 4 and IEC 61508 SIL 3 can be achieved.

For mounting, the housing of this AS-Interface emergency shutoff button can be screwed directly onto the machine. The button can be illuminated in red.

### Accessories

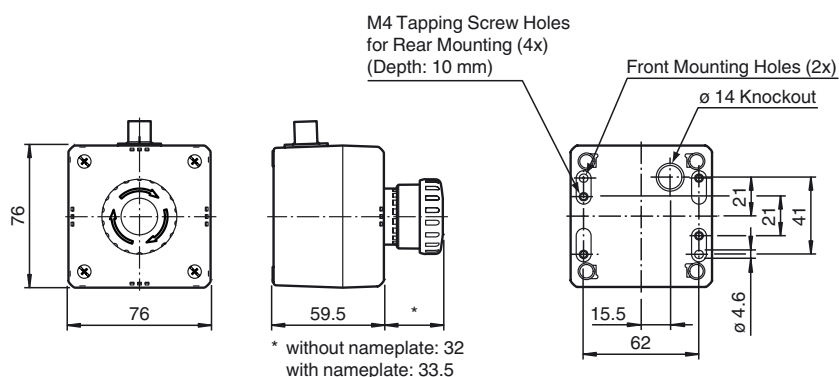
#### VAZ-F85A-SH

Actuating protection for emergency off button

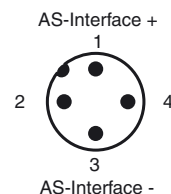
#### VAZ-F85A-MH

Mounting aid for EMERGENCY STOP button

### Dimensions



### Electrical connection



### Technical data

#### General specifications

Slave type	Safety-Slave
AS-Interface specification	V2.1
Required master specification	≥ V2.0
UL File Number	E198304

#### Functional safety related parameters

MTTF <sub>d</sub>	200 a
B <sub>10d</sub>	1 E+5

#### Electrical specifications

Rated operating voltage	U <sub>e</sub>	26.5 ... 31.6 V from AS-Interface
Rated operating current	I <sub>e</sub>	≤ 40 mA
Protection class		III
Insulation resistance		≥ 100 MΩ

#### Input

Number/Type	2 NC Safety function by positive opening in accordance with IEC/EN 60947-5-1 Reset by pulling
Supply	from AS-Interface

#### Output

Number/Type	LED red
Supply	from AS-Interface

#### Directive conformity

Electromagnetic compatibility	
Directive 2014/30/EU	EN 62026-2:2013

#### Standard conformity

Electromagnetic compatibility	EN 62026-2:2013
Degree of protection	EN 60529:2000
Electrical safety	EN 60947-5-5:1997+A1:2005
AS-Interface	EN 62026-2:2013
Functional safety	EN 62061:2005 EN 61508 Parts 1-7:2010 NFPA 79:2007 EN 60204-1:2006

#### Programming instructions

Profile	S-7.B.E.
IO code	7
ID code	B
ID1 code	F

ID2 code	E
<b>Data bits</b> (function via AS-Interface)	<b>input</b> <b>output</b>
D0	dyn. safety code 1                      OUT 1
D1	dyn. safety code 1                      -
D2	dyn. safety code 2                      -
D3	dyn. safety code 2                      -
<b>Parameter bits</b> (programmable via AS-i)	<b>function</b>
P0	not used
P1	not used
P2	not used
P3	not used
<b>Ambient conditions</b>	
Ambient temperature	-25 ... 50 °C (-13 ... 122 °F) (no freezing)
Storage temperature	-40 ... 70 °C (-40 ... 158 °F)
Relative humidity	40 ... 85 % , noncondensing
<b>Mechanical specifications</b>	
Operating force	Push: 32 N Pull: 21 N Turn: 0.27 Nm Minimum for positive opening operation: 60 Nm
Operating distance	for positive opening operation: min. 4 mm maximal: 4.5 mm
Degree of protection	IP65 Module: IP20
Connection	M12 round connector
<b>Material</b>	
Housing	PC
Mass	195 g
Life span	> 250,000 switching operations