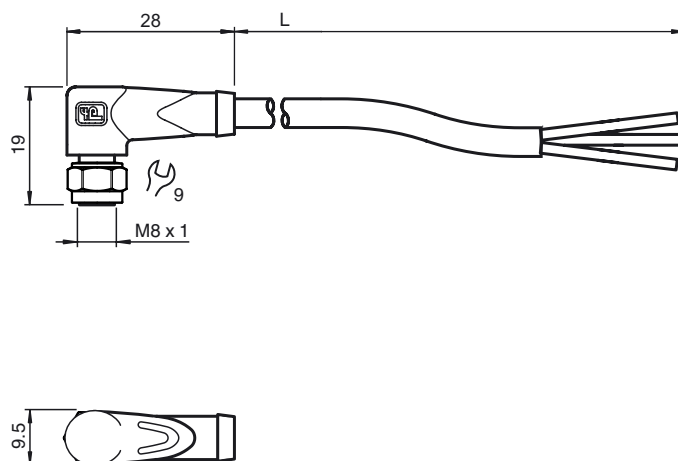




Dimensions



Model Number

V3-WMV4A-5M-PUR

Female cordset, M8, stainless steel
V4A, 3-pin, PUR cable

Features

- Coupling nut V4A
- Immunity to vibration, with mechanical latching
- Gold plated contacts
- Degree of protection IP67 / IP68 / IP69K
- Halogen-free
- Suitable for 2- and 3-wire technology

Technical data

General specifications

Number of pins	3
----------------	---

Electrical specifications

Operating voltage	U_B	max. 60 V DC
Operating current	I_B	max. 3 A
Volume resistance		< 5 m Ω

Ambient conditions

Ambient temperature	cable, fixed: -40 ... 80 °C (-40 ... 176 °F) cable, flexing: -20 ... 80 °C (-4 ... 176 °F)
Pollution degree	3

Mechanical specifications

Contact elements	spring-loaded contact socket
Pin diameter	1 mm
Degree of protection	IP67

Material

Contacts	CuSn / Au
Contact surface	Au
Body	TPU, black
Cable	PUR
Slotted nut	stainless steel V4A
Core insulation	PP
Cable	fine-strand, flexible
Sheath diameter	Ø 4.3 mm
Bending radius	> 15 x cable diameter, moving > 8 x cable diameter, fixed

Color grey

Number of cores 3

Core cross-section 0.25 mm²

Conductor construction 14 x 0.15 mm Ø

Length L 5 m

Flammability

Contact carrier 94 V-2

Housing 94 V-2

Electrical connection

