



CE

Model Number

TopScan-S Gasket IP54

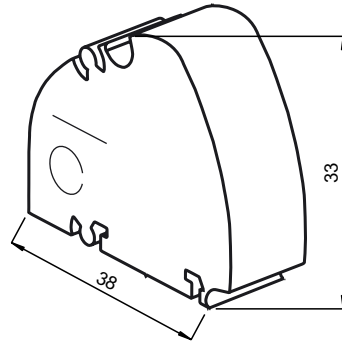
Housing seal TopScan-S

Features

- Polyurethane foam seal for increase to degree of protection IP54
- Simple insertion into the TopScan-S profile section behind the cap

for increasing degree of protection IP52 to degree of protection IP54

Dimensions



Technical data

Ambient conditions

Ambient temperature -10 ... 50 °C (263 ... 323 K)

Mechanical specifications

Material polyurethane foam

Mass approx. 0.4 g

General information

Packing unit 10

Suitable series

Series TOPSCAN-S