

Model Number

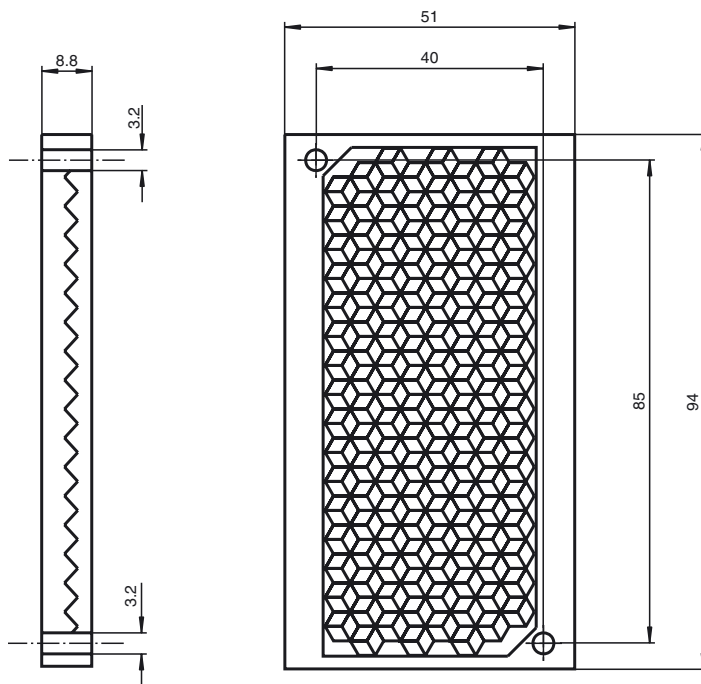
REF-H85HT

Reflector, rectangular 51 mm x 94 mm, mounting holes, high temperature resistant up to 500 °C

Features

- Specially resistant to scratching and knocks
- High temperature rated to 500 °C

Dimensions



Technical data

General specifications

Construction type	rectangular
-------------------	-------------

Ambient conditions

Ambient temperature	-50 ... 500 °C (-58 ... 932 °F)
---------------------	---------------------------------

Mechanical specifications

Material	Borosilicate glass
Dimensions	51 mm x 94 mm
Mounting	mounting holes