



Model Number

IQZ21-50F-T10

Data carrier

Features

- Operating frequency 13.56 MHz
- With extended temperature range up to 220 °C (428 °F)
- Conforms to ISO 15693
- 896 bits memory available
- Readable and writable from both sides
- Degree of protection IP68
- Mounting holes for simple installation

Matching system components

IQZ-MH-50F

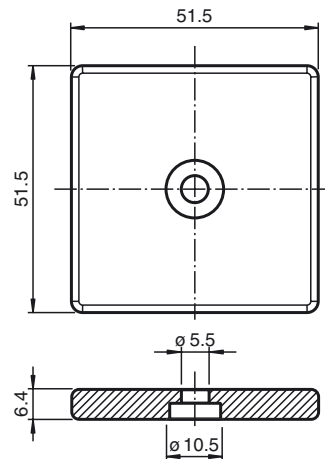
Spacers for code/data carrier

Accessories

ICZ-MH30-25-T10

Spacers for code/data carrier

Dimensions



Technical data

General specifications

Operating frequency	13.56 MHz
Transfer rate	26 kBit/s

Memory

Chip Type	I-CODE SLI (NXP)
EEPROM	896 Bit
UID	64 Bit
Memory organization	4 bytes/block
Read cycles	unlimited
Write cycles	> 100000
Data retention period	10 years at 55 °C (131 °F)

Directive conformity

Radio and telecommunication terminal equipment	
Directive 2014/53/EU	EN 300330-2:2015 V1.6.1

Standard conformity

Degree of protection	EN 60529:2000
RFID	ISO/IEC 15693-1:2010 , ISO/IEC 15693-2:2006 , ISO/IEC 15693-3:2009 , ISO/IEC 18000-3:2010

Ambient conditions

Ambient temperature	-40 ... 85 °C (-40 ... 185 °F)
Storage temperature	-40 ... 220 °C (-40 ... 428 °F) 220 °C (473 K) for 1000 hours or 1500 cycles of 30 min
Climatic conditions	100 % non-condensing

Mechanical specifications

Degree of protection	IP68
Material	
Housing	PPS
Installation	
In air	yes
Mass	25 g
Construction type	Rectangular type

Notes

The transponder can be read and written from either side.

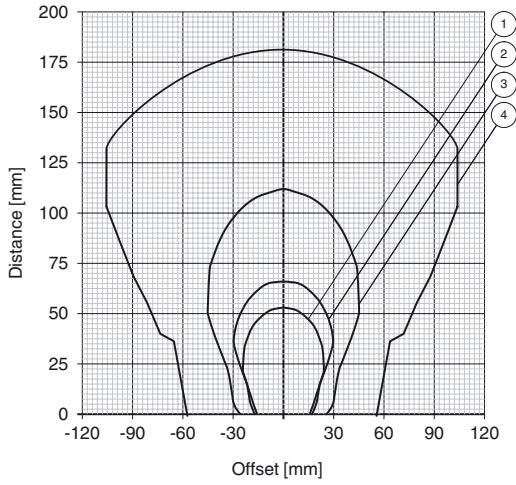
Notes

High temperatures will cause the housing to expand. If the housing is assembled under mechanical stress, the resulting pressure may damage the tag. Install the tag loosely to allow for expansion due to high temperatures.

Read/write distances

- ① IQH1-18GM-V1 ② IQH1-F61-V1 ③ IQH1-FP-V1
- ④ IQH1-F15-V1

Reading range in air IQC21-50F-T10



Release date: 2019-01-24 10:22 Date of issue: 2019-01-25 197962_eng.xml