



**Model Number**

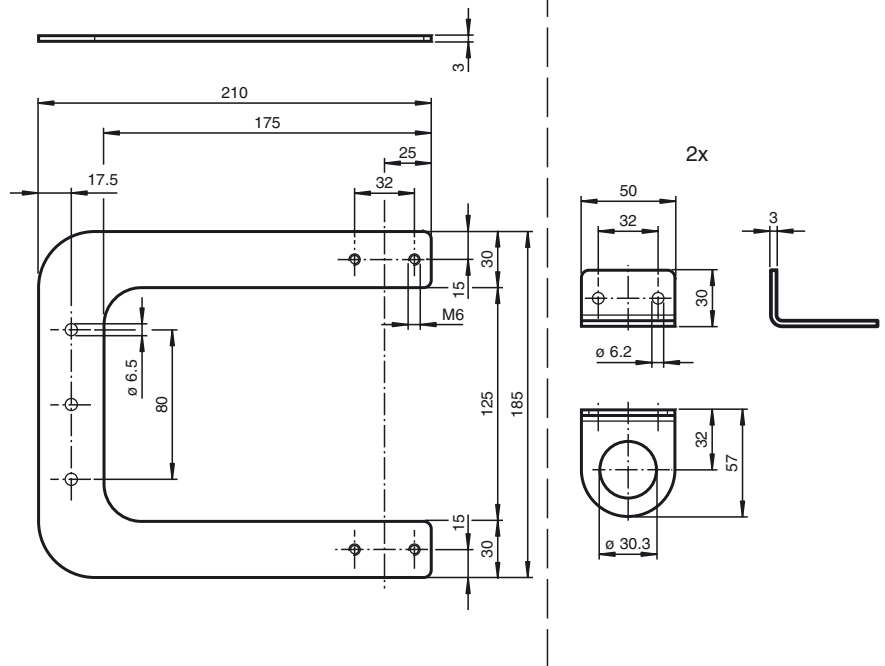
**MH-UDB02**

Mounting bracket for double sheet metal monitor

**Features**

- Special design to avoid reflections
- Large adjustment range of sensor head spacing

**Dimensions**



**Technical data**

**Mechanical specifications**

Material	Stainless steel
Mass	540 g

Release date: 2018-07-17 07:52 Date of issue: 2018-07-17 198625\_eng.xml

Refer to "General Notes Relating to Pepperl+Fuchs Product Information".

Pepperl+Fuchs Group  
www.pepperl-fuchs.com

USA: +1 330 486 0001  
fa-info@us.pepperl-fuchs.com

Germany: +49 621 776 4411  
fa-info@de.pepperl-fuchs.com

Singapore: +65 6779 9091  
fa-info@sg.pepperl-fuchs.com