



Model Number

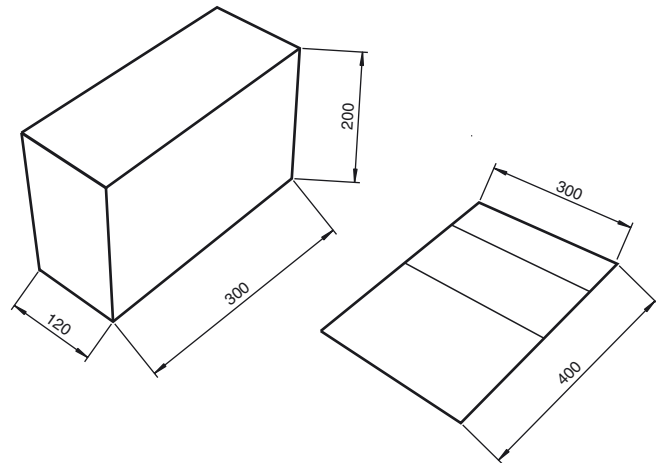
TopScan-S Test Kit

Adjustment accessories TopScan-S

Features

- Adjustment accessories series Top-Scan-S

Dimensions



Technical data

Mechanical specifications

Material	cardboard
Mass	approx. 315 g

Suitable series

Series	TopScan-S
--------	-----------

Release date: 2013-09-20 16:19 Date of issue: 2013-09-20 199125_eng.xml

Refer to "General Notes Relating to Pepperl+Fuchs Product Information".

Pepperl+Fuchs Group
www.pepperl-fuchs.com

USA: +1 330 486 0001
fa-info@us.pepperl-fuchs.com

Germany: +49 621 776 4411
fa-info@de.pepperl-fuchs.com

Singapore: +65 6779 9091
fa-info@sg.pepperl-fuchs.com