



**Model number**

**WCS3B-LS211S**

Read head, RS 485 interface, with RS 485 termination resistor

**Features**

- RS 485 interface
- Non-contact, absolute position encoder
- Automatic detection of dirt accumulation
- Speed transfer

**Accessories**

**WCS-MP1**

Mounting plate for reading heads WCS2 and WCS3

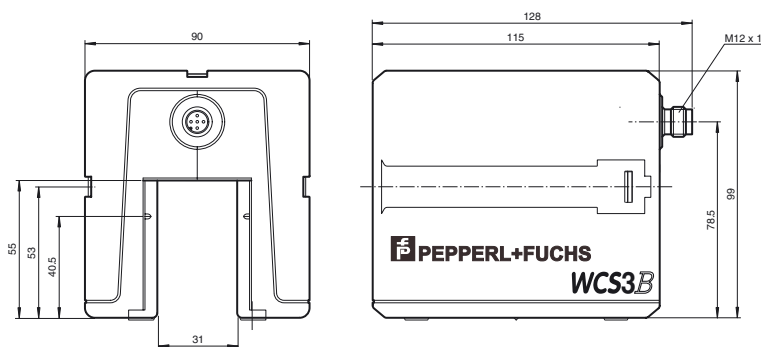
**WCS3B-PL2**

Transparent protective case and seal for WCS3B reader

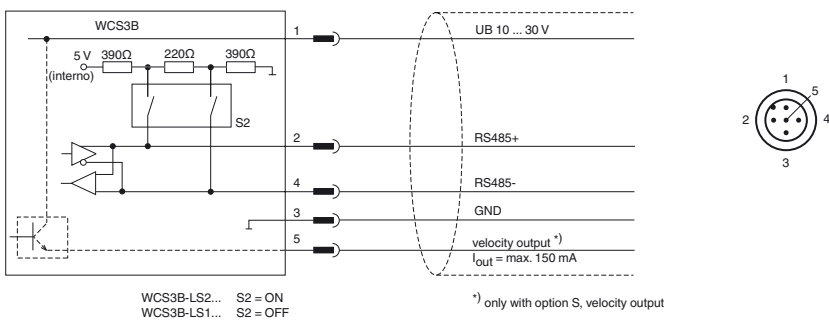
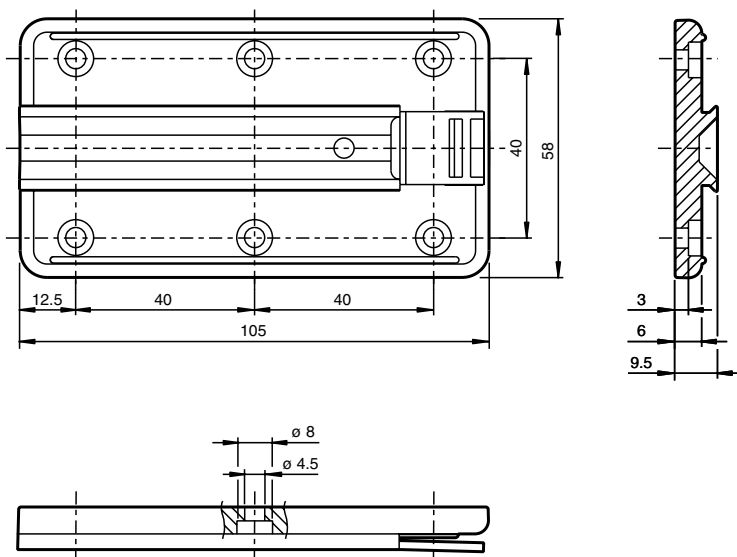
**Note**

with RS 485 interface

**Dimensions**



**Mounting plate**



**Technical data**

**General specifications**

Passage speed	v	≤ 12.5 m/s
Measuring range		max. 314.5 m
Free tolerances to code rail		horizontal: 31 mm (± 15.5 mm) vertical: 28 mm (± 14 mm)
Resolution		± 0.4 mm (1,250 positions/m)

Release date: 2013-06-12 14:34 Date of issue: 2013-06-12 199290-0009\_eng.xml

<b>Functional safety related parameters</b>	
MTTF <sub>d</sub>	50 a
Mission Time (T <sub>M</sub> )	10 a
Diagnostic Coverage (DC)	0 %
<b>Indicators/operating means</b>	
Operating display	LED green: power on
Velocity indication	LED yellow off, if speed limit is exceeded
Error display	LED red flashing: read head outside of code rail solid on: internal diagnostic test failed
<b>Electrical specifications</b>	
Operating voltage	U <sub>B</sub> 10 ... 30 V DC
Power consumption	P <sub>0</sub> 2 VA
<b>Interface</b>	
Interface type	RS 485 interface
Data output code	binary code
Protocol	1, 2
Transfer rate	187.5 kBit/s
Address	0
Termination	with RS 485 termination
<b>Output</b>	
Output velocity	switch output short-circuit protected
Switching voltage	Operating voltage
<b>Standard conformity</b>	
Emitted interference	DIN EN 61000-6-4, DIN EN 12015
Noise immunity	DIN EN 61000-6-2, DIN EN 12016
Shock resistance	DIN EN 60068-2-27, half sine 30 g, 18 ms
Vibration resistance	DIN EN 60068-2-6, sine, 5 g, 10 - 2000 Hz, 10 cycles
<b>Ambient conditions</b>	
Operating temperature	0 ... 60 °C (32 ... 140 °F)
Storage temperature	-40 ... 85 °C (-40 ... 185 °F)
Relative humidity	90 %, noncondensing
<b>Mechanical specifications</b>	
Connection type	M12 x 1 connector, 5-pin
Protection degree	IP54
Material	
Housing	ABS, PC (Polycarbonate)
Mass	500 g
<b>General information</b>	
Ordering information	Mounting plate included with delivery