



Model number

WCS3B-LS410

Features

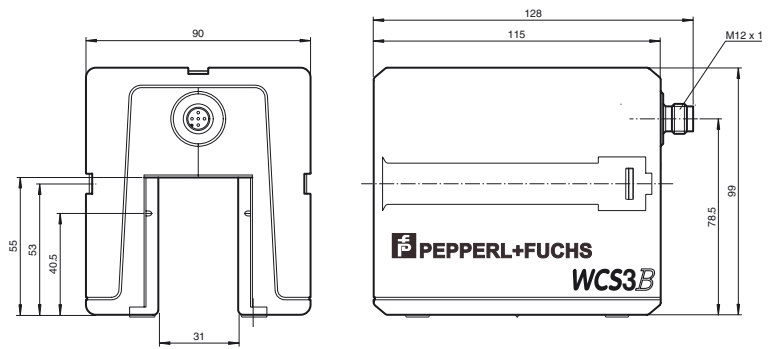
- CANopen interface
- Non-contact, absolute position encoder
- Automatic detection of dirt accumulation
- Output of position and speed

Accessories

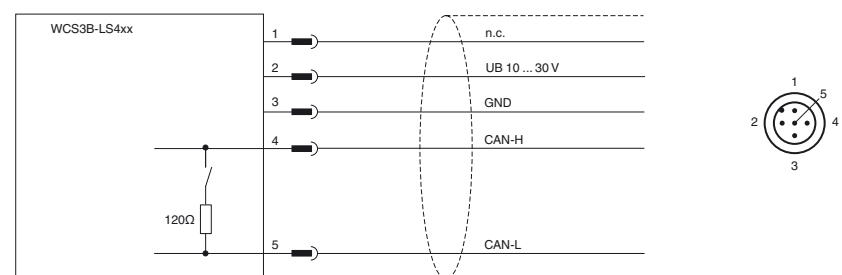
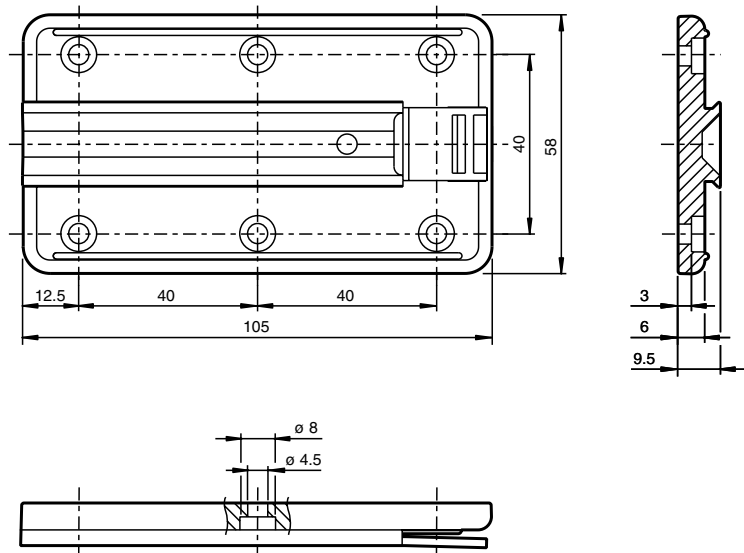
WCS3B-PL2
Transparent protective case and seal for WCS3B reader

WCS-MP1
Mounting plate for reading heads WCS2 and WCS3

Dimensions



Mounting plate



Technical data

General specifications	
Passage speed	v ≤ 12.5 m/s
Measuring range	max. 314.5 m
Free tolerances to code rail	horizontal: 31 mm (± 15.5 mm) vertical: 28 mm (± 14 mm)
Resolution	± 0.4 mm (1,250 positions/m)

Release date: 2018-07-26 15:48 Date of issue: 2018-07-26 199290-0029_eng.xml

Functional safety related parameters		
MTTF _d		50 a
Mission Time (T _M)		10 a
Diagnostic Coverage (DC)		0 %
Indicators/operating means		
Operation indicator		LED green: power on
Data flow indicator		LED yellow: data communication active
Error indicator		LED red flashing: read head outside of code rail solid on: internal diagnostic test failed
Electrical specifications		
Operating voltage	U _B	10 ... 30 V DC
Power consumption	P ₀	2 VA
Interface		
Interface type		CANopen , galvanically isolated
Data output code		binary code
Transfer rate		max. 1 MBit/s
Termination		switchable
Standard conformity		
Emitted interference		DIN EN 61000-6-4
Noise immunity		DIN EN 61000-6-2
Shock resistance		DIN EN 60068-2-27, half sine 30 g, 18 ms
Vibration resistance		DIN EN 60068-2-6, sine, 5 g, 10 - 2000 Hz, 10 cycles
Ambient conditions		
Operating temperature		0 ... 60 °C (32 ... 140 °F)
Storage temperature		-40 ... 85 °C (-40 ... 185 °F)
Relative humidity		90 % , noncondensing
Mechanical specifications		
Connection type		5-pin, M12 x 1 connector
Degree of protection		IP54
Material		
Housing		ABS , PC (Polycarbonate)
Mass		500 g
General information		
Ordering information		Mounting plate included with delivery