



Model number

WCS3B-LS310D

Reading head, SSI interface, binary code

Features

- SSI interface
- Non-contact, absolute position encoder
- Automatic detection of dirt accumulation
- Integrated display module

Accessories

WCS-MP1

Mounting plate for reading heads WCS2 and WCS3

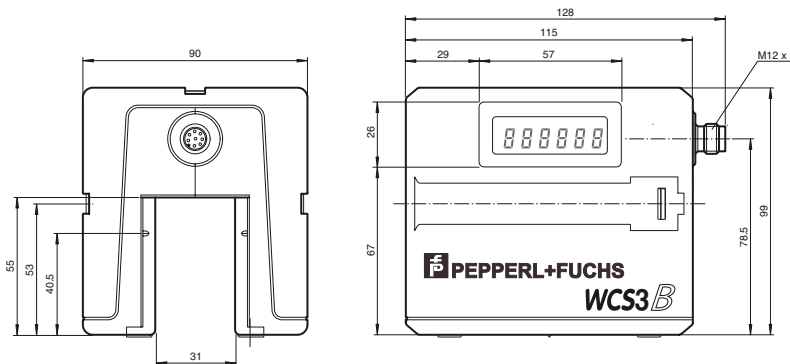
WCS3B-PL2

Transparent protective case and seal for WCS3B reader

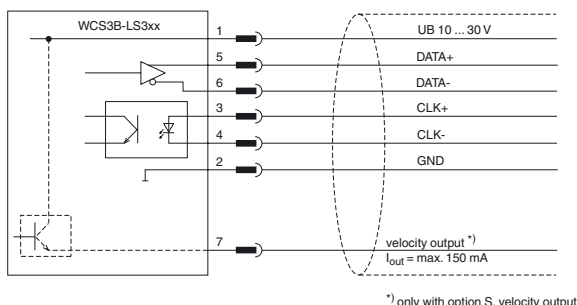
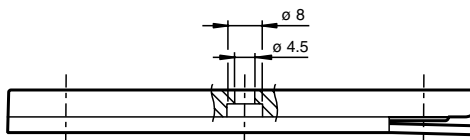
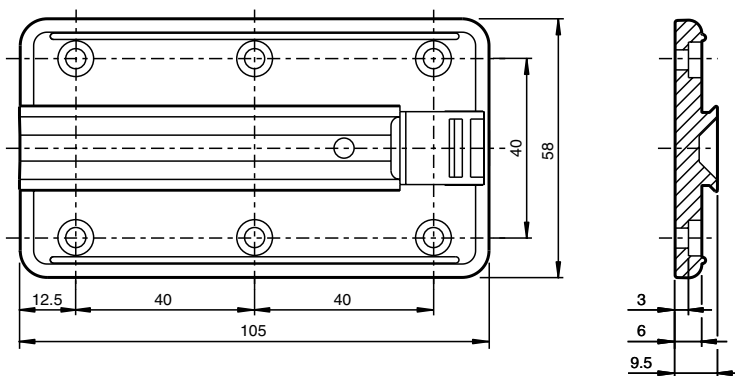
Note

with SSI interface

Dimensions



Mounting plate



Technical data

General specifications

| | | |
|------------------------------|---|--|
| Passage speed | v | ≤ 12.5 m/s |
| Measuring range | | max. 314.5 m |
| Free tolerances to code rail | | horizontal: 31 mm (± 15.5 mm) vertical: 28 mm (± 14 mm) |
| Resolution | | ± 0.4 mm (1,250 positions/m) |

Release date: 2013-06-12 14:36 Date of issue: 2013-06-12 199290-0030_eng.xml

| | | |
|---|----------------|--|
| Functional safety related parameters | | |
| MTTF _d | | 60 a |
| Mission Time (T _M) | | 10 a |
| Diagnostic Coverage (DC) | | 0 % |
| Indicators/operating means | | |
| Operating display | | LED green: power on |
| Data flow display | | LED yellow: data communication active |
| Error display | | LED red flashing: read head outside of code rail solid on: internal diagnostic test failed |
| Display | | Display module, 6-digit adaptable to installation position |
| Electrical specifications | | |
| Operating voltage | U _B | 10 ... 30 V DC |
| Power consumption | P ₀ | 2 VA |
| Interface | | |
| Interface type | | SSI interface |
| Data output code | | binary code , 25 bit |
| Clock frequency | | 100 ... 1000 kHz |
| Pause time | tp | ≥ 20 μs double request possible, if t _p ≤ 10 μs |
| Standard conformity | | |
| Emitted interference | | DIN EN 61000-6-4 |
| Noise immunity | | DIN EN 61000-6-2 |
| Shock resistance | | DIN EN 60068-2-27, half sine 30 g, 18 ms |
| Vibration resistance | | DIN EN 60068-2-6, sine, 5 g, 10 - 2000 Hz, 10 cycles |
| Ambient conditions | | |
| Operating temperature | | 0 ... 60 °C (32 ... 140 °F) |
| Storage temperature | | -40 ... 85 °C (-40 ... 185 °F) |
| Relative humidity | | 90 % , noncondensing |
| Mechanical specifications | | |
| Connection type | | 8-pin, M12 x 1 connector |
| Protection degree | | IP54 |
| Material | | |
| Housing | | ABS , PC (Polycarbonate) |
| Mass | | 500 g |
| General information | | |
| Ordering information | | Mounting plate included with delivery |