



Model number

WCS3B-LS311S

Reading head, SSI interface, Gray code

Features

- SSI interface
- Non-contact, absolute position encoder
- Automatic detection of dirt accumulation
- Speed transfer

Accessories

WCS-MP1

Mounting plate for reading heads WCS2 and WCS3

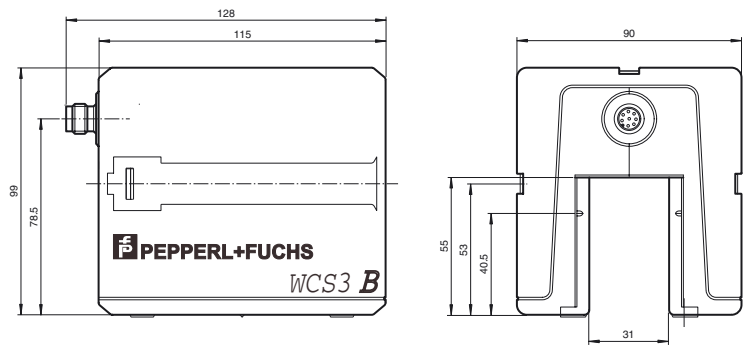
WCS3B-PL2

Transparent protective case and seal for WCS3B reader

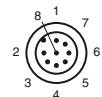
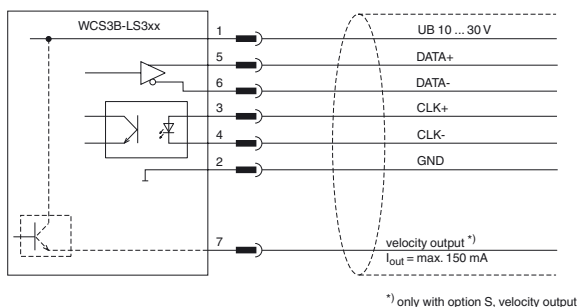
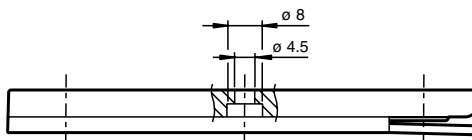
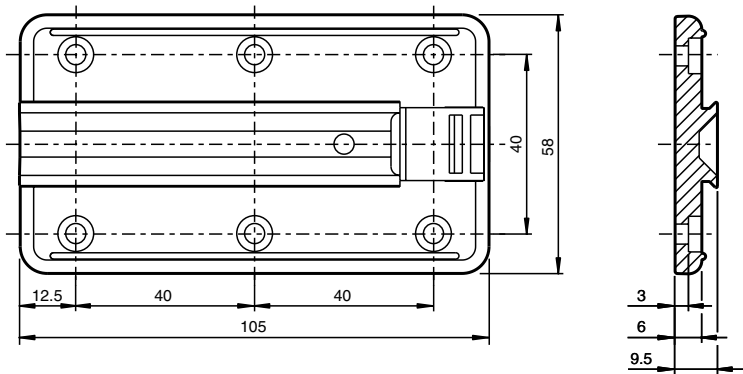
Note

with SSI interface

Dimensions



Mounting plate



Technical data

General specifications

Passage speed	v	≤ 12.5 m/s
Measuring range		max. 314.5 m
Free tolerances to code rail		horizontal: 31 mm (± 15.5 mm) vertical: 28 mm (± 14 mm)
Resolution		± 0.4 mm (1,250 positions/m)

Release date: 2013-06-12 14:37 Date of issue: 2013-06-12 199290-0035_eng.xml

Functional safety related parameters	
MTTF _d	60 a
Mission Time (T _M)	10 a
Diagnostic Coverage (DC)	0 %
Indicators/operating means	
Operating display	LED green: power on
Velocity indication	LED yellow off, if speed limit is exceeded
Error display	LED red flashing: read head outside of code rail solid on: internal diagnostic test failed
Electrical specifications	
Operating voltage	U _B 10 ... 30 V DC
Power consumption	P ₀ 2 VA
Interface	
Interface type	SSI interface
Data output code	Gray code , 25 bit
Clock frequency	100 ... 1000 kHz
Pause time	tp ≥ 20 μs double request possible, if t _p ≤ 10 μs
Output	
Output velocity	switch output , short-circuit protected
Switching voltage	Operating voltage
Standard conformity	
Emitted interference	DIN EN 61000-6-4
Noise immunity	DIN EN 61000-6-2
Shock resistance	DIN EN 60068-2-27, half sine 30 g, 18 ms
Vibration resistance	DIN EN 60068-2-6, sine, 5 g, 10 - 2000 Hz, 10 cycles
Ambient conditions	
Operating temperature	0 ... 60 °C (32 ... 140 °F)
Storage temperature	-40 ... 85 °C (-40 ... 185 °F)
Relative humidity	90 % , noncondensing
Mechanical specifications	
Connection type	8-pin, M12 x 1 connector
Protection degree	IP54
Material	
Housing	ABS , PC (Polycarbonate)
Mass	500 g
General information	
Ordering information	Mounting plate included with delivery