



Model number
WCS3B-LS410H

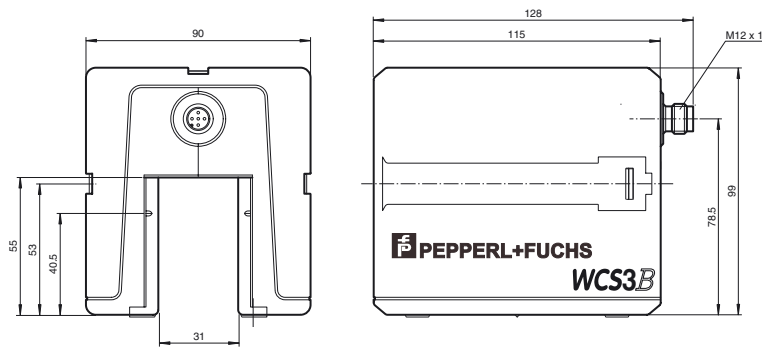
- Features**
- CANopen interface
 - Non-contact, absolute position encoder
 - Automatic detection of dirt accumulation
 - Extended temperature range

Accessories

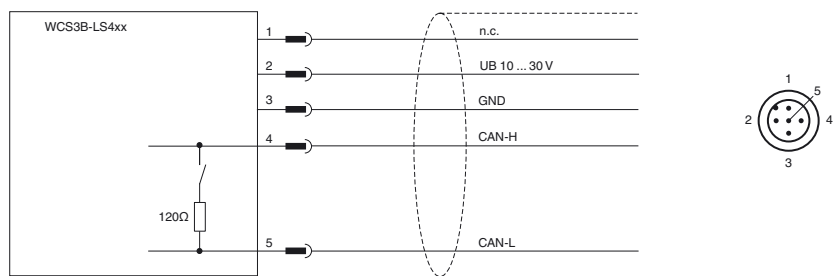
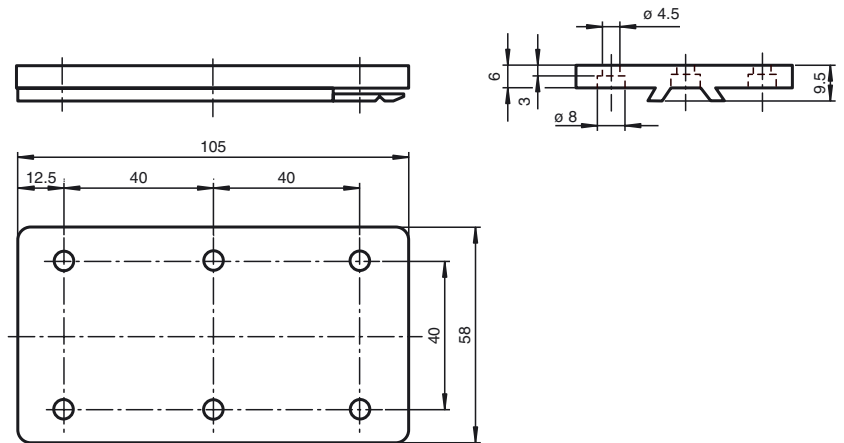
WCS3B-PL2
Transparent protective case and seal for WCS3B reader

WCS-MP1
Mounting plate for reading heads WCS2 and WCS3

Dimensions



Mounting plate



Technical data

General specifications		
Passage speed	v	≤ 12.5 m/s
Measuring range		max. 314.5 m
Free tolerances to code rail		horizontal: 31 mm (± 15.5 mm) vertical: 28 mm (± 14 mm)
Resolution		± 0.4 mm (1,250 positions/m)
Functional safety related parameters		
MTTF _d		50 a
Mission Time (T _M)		10 a
Diagnostic Coverage (DC)		0 %
Indicators/operating means		
Operation indicator		LED green: power on
Data flow indicator		LED yellow: data communication active

Release date: 2018-07-26 15:43 Date of issue: 2018-07-26 199290-0041_eng.xml

Error indicator	LED red flashing: read head outside of code rail solid on: internal diagnostic test failed
-----------------	--

Electrical specifications

Operating voltage	U_B	10 ... 30 V DC
Power consumption	P_0	11 VA at 24 V DC

Interface

Interface type	CANopen , galvanically isolated
Data output code	binary code
Transfer rate	max. 1 MBit/s
Termination	switchable

Standard conformity

Emitted interference	DIN EN 61000-6-4
Noise immunity	DIN EN 61000-6-2
Shock resistance	DIN EN 60068-2-27, half sine 30 g, 18 ms
Vibration resistance	DIN EN 60068-2-6, sine, 5 g, 10 - 2000 Hz, 10 cycles

Ambient conditions

Operating temperature	-40 ... 60 °C (-40 ... 140 °F)
Storage temperature	-40 ... 85 °C (-40 ... 185 °F)
Relative humidity	90 % , noncondensing

Mechanical specifications

Connection type	5-pin, M12 x 1 connector
Degree of protection	IP54
Material	
Housing	ABS , PC (Polycarbonate)
Mass	500 g

General information

Ordering information	Mounting plate included with delivery
----------------------	---------------------------------------