



**Model Number**

**GLK18-55-S/25/161/166**

Retroreflective sensor  
Plastic connector Micro AC 1/2", 4-pin

**Features**

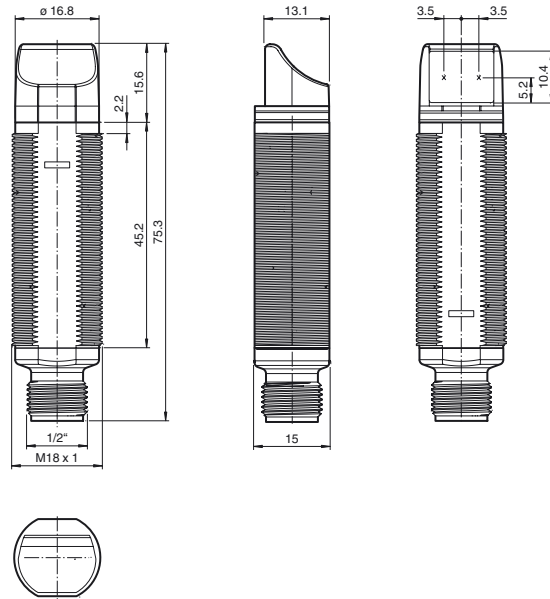
- Efficient Line in a short M18 plastic housing for standard applications
- Very high detection range
- 4 LEDs indicator for 360° visibility
- Sidelookerversion
- Universal usage at different power supplies

**Product information**

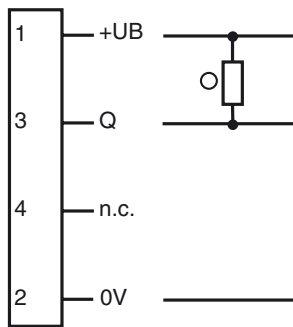
The GLV/GLK18 series sensors help improve the efficiency of machines and systems. The design of the M18 plastic housing, the connection technology, and sensor properties are highly standardized. Concentrating on the key sensor requirements has produced a robust and reliable product series for DC and AC/DC voltage systems without any over-engineering. The mounting set included in the scope of delivery and the optimized potentiometer design ensure fast assembly and easy configuration.

Release date: 2017-03-08 09:06 Date of issue: 2017-03-08 199798\_eng.xml

**Dimensions**

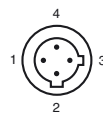


**Electrical connection**



○ = Light on  
● = Dark on

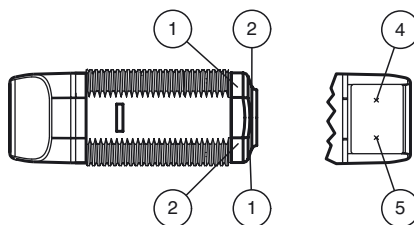
**Pinout**



Wire colors

|   |                   |
|---|-------------------|
| 1 | RD/BK (red/black) |
| 2 | RD/WH (red/white) |
| 3 | RD (red)          |
| 4 | GN (green)        |

**Indicators/operating means**



|   |                   |        |
|---|-------------------|--------|
| 1 | Operating display | green  |
| 2 | Signal display    | yellow |
| 4 | Emitter           |        |
| 5 | Receiver          |        |

**Technical data****General specifications**

|                            |                                      |
|----------------------------|--------------------------------------|
| Effective detection range  | 0 ... 3.5 m                          |
| Reflector distance         | 0.05 ... 3.5 m                       |
| Threshold detection range  | 4.5 m                                |
| Reference target           | reflector C110-2                     |
| Light source               | LED                                  |
| Light type                 | modulated visible red light , 640 nm |
| Polarization filter        | yes                                  |
| Diameter of the light spot | approx. 160 mm at 4.5 m              |
| Angle of divergence        | approx. 2 °                          |
| Optical face               | lateral                              |
| Ambient light limit        | 30000 Lux                            |
| Accessories provided       | Mounting aids                        |

**Indicators/operating means**

|                     |   |
|---------------------|---|
| Operation indicator | LED green, statically lit Power on  |
| Function indicator  | LED yellow: lights up when receiving the light beam ; flashes when falling short of the stability control; OFF when light beam is interrupted |

**Electrical specifications**

|                        |       |                    |
|------------------------|-------|--------------------|
| Operating voltage      | $U_B$ | 20 ... 250 V AC/DC |
| No-load supply current | $I_0$ | < 2.5 mA           |

**Output**

|                     |   |                    |
|---------------------|---|--------------------|
| Switching type      | light on                                  |                    |
| Signal output       | N-channel MOSFET, short circuit protected |                    |
| Switching voltage   | max. 250 V AC/DC                          |                    |
| Switching current   | max. 200 mA                               |                    |
| Voltage drop        | $U_d$                                     | $\leq 3.5$ V AC/DC |
| Switching frequency | $f$                                       | 50 Hz              |
| Response time       |   | $\leq 10$ ms       |

**Ambient conditions**

|                     |                                |
|---------------------|--------------------------------|
| Ambient temperature | -20 ... 60 °C (-4 ... 140 °F)  |
| Storage temperature | -40 ... 70 °C (-40 ... 158 °F) |

**Mechanical specifications**

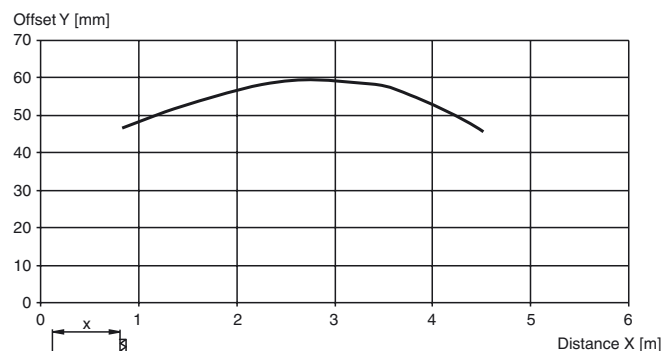
|                      |                                       |
|----------------------|---------------------------------------|
| Degree of protection | IP67                                  |
| Connection           | Micro AC connector, 1/2" V124 ; 4-pin |
| Material             |                                       |
| Housing              | PC-PBT                                |
| Optical face         | PMMA                                  |
| Mass                 | approx. 10 g                          |

**Compliance with standards and directives**

|                     |  |
|---------------------|--|
| Standard conformity |  |
| Product standard    | EN 60947-5-2:2007 ; IEC 60947-5-2:2007 |
| Standards           | UL 508                                 |

**Approvals and certificates**

|                  |   |
|------------------|---|
| EAC conformity   | TR CU 020/2011<br>TR CU 004/2011  |
| Protection class | II, rated insulation voltage $\leq 250$ V AC with pollution degree 1-2 according to IEC 60664-1 |
| UL approval      | cULus Listed, Type 1 enclosure  |
| CCC approval     | Certified by China Compulsory Certification (CCC)   |

**Curves/Diagrams****Characteristic response curve****Accessories****CPZ18B03**

Mounting Bracket with swivel nut

**BF 18**

Mounting flange, 18 mm

**BF 18-F**

Mounting flange with dead stop, 18 mm

**BF 5-30**

Universal mounting bracket for cylindrical sensors with a diameter of 5 ... 30 mm

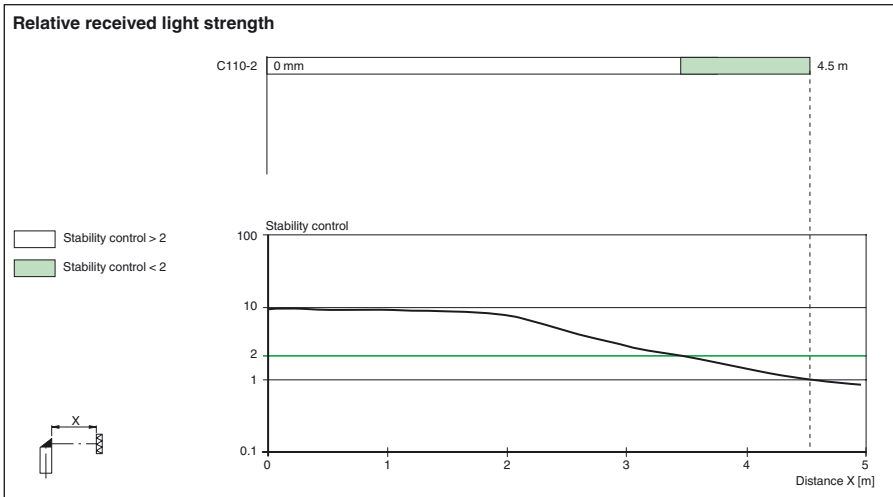
**V124-G-YE2M-PVC**

Connecting cable, 1/2" - 20 UNF, 4-pin, PVC cable

**V124-W-YE2M-PVC**

Connecting cable, 1/2" - 20 UNF, 4-pin, PVC cable

Other suitable accessories can be found at [www.pepperl-fuchs.com](http://www.pepperl-fuchs.com)



Release date: 2017-03-08 09:06 Date of issue: 2017-03-08 199798\_eng.xml

Refer to "General Notes Relating to Pepperl+Fuchs Product Information".

Pepperl+Fuchs Group  
www.pepperl-fuchs.com

USA: +1 330 486 0001  
fa-info@us.pepperl-fuchs.com

Germany: +49 621 776 4411  
fa-info@de.pepperl-fuchs.com

Singapore: +65 6779 9091  
fa-info@sg.pepperl-fuchs.com