



Model Number

V1-8/16A-E2-M23

Splitter box octuple, twin configuration, with M23 connector

Features

- Fast, flexible installation/separation
- Twin communication of the plug-in stations
- LED indicator for module supply and I/O status
- Degree of protection IP67

Accessories

VAZ-V1-B3

Blind plug for M12 sockets

MH 05-SACB-8

Mounting aid for splitter boxes for DIN rail

V15S-T-V15

Y distributor, M12 connector on M12 socket/socket

MH V1-SCREWDRIVER

torque screwdriver (0.4 Nm)

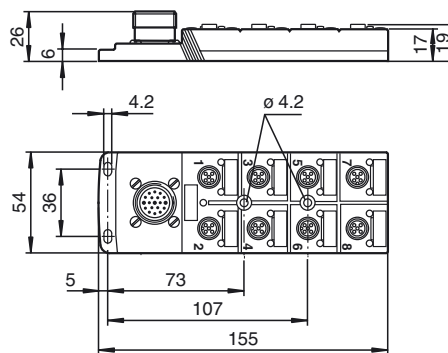
MH V1-BIT M12

plug-in cap M12

V23-19-G-10M-PUR

Female cordset, M23, 19-pin, PUR cable

Dimensions



Technical data

General specifications

| | |
|----------------|---------|
| Number of pins | 5 |
| UL File Number | E191152 |

Electrical specifications

| | | |
|--------------------------|-------|-------------------------------------------------------------------------------------------------------|
| Operating voltage | U_B | 24 V DC, max. 30 V DC |
| Operating current | I_B | ≤ 5 mA per channel indication element |
| Current loading capacity | | ≤ 2 A per channel, ≤ 4 A per plug-in station, ≤ 12 A total current per separator |

Output

| | |
|-------------|-----------------------|
| Number/Type | 8, twin configuration |
|-------------|-----------------------|

Ambient conditions

| | |
|---------------------|-------------------------------|
| Ambient temperature | -20 ... 75 °C (-4 ... 167 °F) |
|---------------------|-------------------------------|

Mechanical specifications

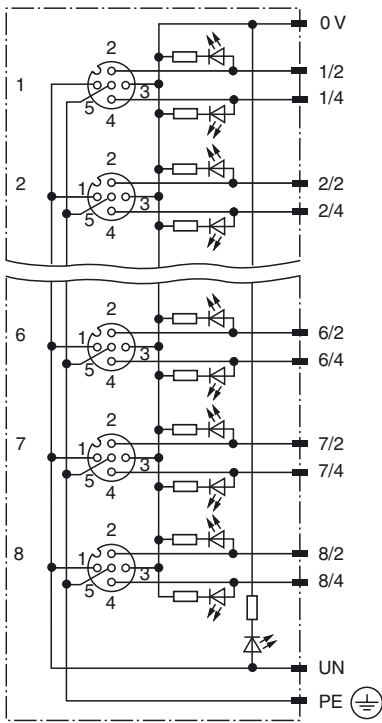
| | |
|----------------------|----------------------------------------------------|
| Connection type | 8 x socket M12 x 1 5-pin 1 x Male connector M23 |
| Degree of protection | IP65/IP67 |
| Material | |
| Contacts | CuSn |
| Contact surface | Ni/Au |
| Housing | PA |
| Seal | O-ring: NBR |
| Mass | approx. 160 g |
| Flammability | 94 V-0 |

Compliance with standards and directives

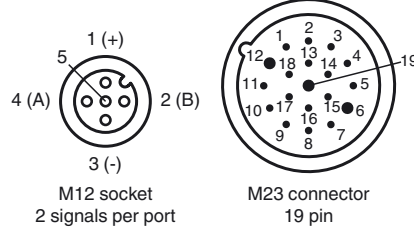
| | |
|----------------------|----------|
| Standard conformity | |
| Degree of protection | EN 60529 |

Release date: 2018-03-22 11:19 Date of issue: 2018-03-22 200672_eng.xml

Electrical connection



| Slot/Pin (signal) | Pin M23 |
|-------------------|---------|
| 1 / 4 (A) | 15 |
| 1 / 2 (B) | 7 |
| 2 / 4 (A) | 5 |
| 2 / 2 (B) | 4 |
| 3 / 4 (A) | 16 |
| 3 / 2 (B) | 8 |
| 4 / 4 (A) | 3 |
| 4 / 2 (B) | 14 |
| 5 / 4 (A) | 17 |
| 5 / 2 (B) | 9 |
| 6 / 4 (A) | 2 |
| 6 / 2 (B) | 13 |
| 7 / 4 (A) | 11 |
| 7 / 2 (B) | 10 |
| 8 / 4 (A) | 1 |
| 8 / 2 (B) | 18 |
| 1-8 / 1 (UN) | 19 |
| 1-8 / 3 (0 V) | 6 |
| 1-8 / 5 (PE) | 12 |



Release date: 2018-03-22 11:19 Date of issue: 2018-03-22 200672_eng.xml