



**Model number**

**WCS2B-LS146**

Reading head, RS 485 interface, without RS 485 termination resistor

**Features**

- RS 485 interface
- Non-contact, absolute position encoder
- Automatic detection of dirt accumulation

**Accessories**

**WCS-MP1**

Mounting plate for reading heads WCS2 and WCS3

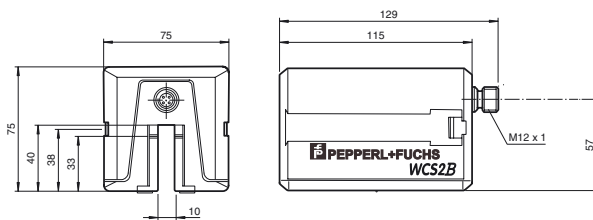
**WCS2-PL2**

Transparent protective case and seal for WCS2 reader

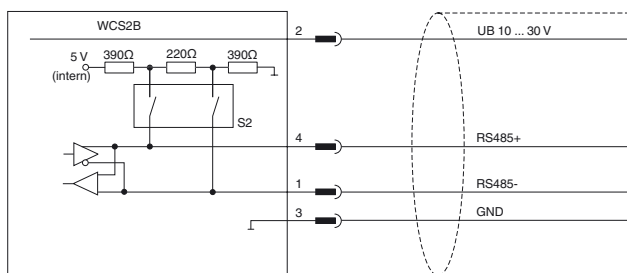
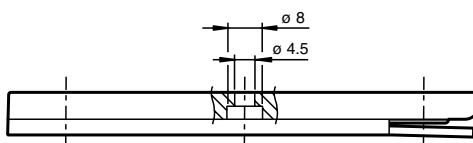
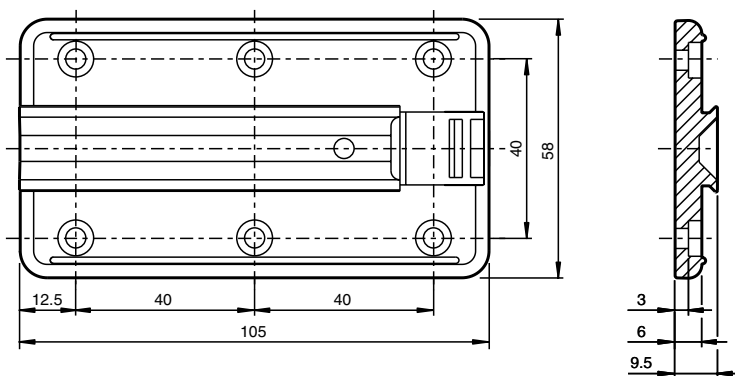
**Note**

with RS 485 interface

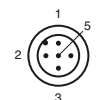
**Dimensions**



**Mounting plate**



WCS2B-LS2... S2 = ON  
WCS2B-LS1... S2 = OFF



**Technical data**

**General specifications**

Passage speed	v	≤ 12.5 m/s
Measuring range		max. 327 m
Free tolerances to code rail		horizontal: 10 mm (± 5 mm) vertical: 10 mm (± 5 mm)
Resolution		± 0.42 mm (1,200 positions/m)

**Functional safety related parameters**

MTTF <sub>d</sub>	60 a
Mission Time (T <sub>M</sub> )	10 a
Diagnostic Coverage (DC)	0 %

**Electrical specifications**

Operating voltage	U <sub>B</sub>	10 ... 30 V DC
-------------------	----------------	----------------

Release date: 2013-06-12 14:39 Date of issue: 2013-06-12 200779-0005\_eng.xml

Power consumption	$P_0$	2 VA
<b>Interface</b>		
Interface type	RS 485 interface	
Data output code	binary code	
Protocol	3 , with Parity (9 Bit/Byte)	
Transfer rate	19.2 MBit/s	
Termination	without RS 485 termination	
<b>Standard conformity</b>		
Emitted interference	DIN EN 61000-6-4	
Noise immunity	DIN EN 61000-6-2	
Shock resistance	DIN EN 60068-2-27, half sine 30 g, 18 ms	
Vibration resistance	DIN EN 60068-2-6, sine, 5 g, 10 - 2000 Hz, 10 cycles	
<b>Ambient conditions</b>		
Operating temperature	0 ... 60 °C (32 ... 140 °F)	
Storage temperature	-40 ... 85 °C (-40 ... 185 °F)	
Relative humidity	90 % , noncondensing	
<b>Mechanical specifications</b>		
Connection type	M12 x 1 connector, 5-pin	
Protection degree	IP54	
Material		
Housing	ABS , Polycarbonate , Polyamide (PA)	
Mass	500 g	
<b>General information</b>		
Ordering information	Mounting plate included with delivery	