



**Model number**

**WCS2B-LS221H**

Read head, RS 485 interface, with RS 485 termination resistor

**Features**

- RS 485 interface
- Non-contact, absolute position encoder
- Automatic detection of dirt accumulation
- Extended temperature range

**Accessories**

**WCS-MP1**

Mounting plate for reading heads WCS2 and WCS3

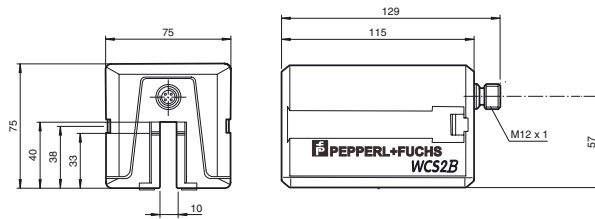
**WCS2-PL2**

Transparent protective case and seal for WCS2 reader

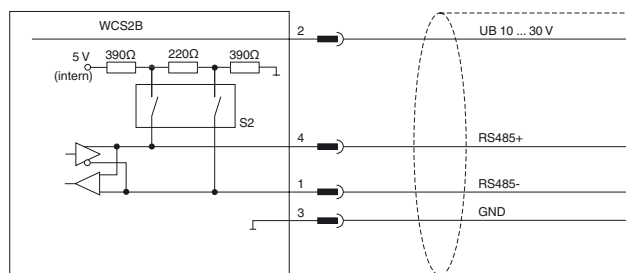
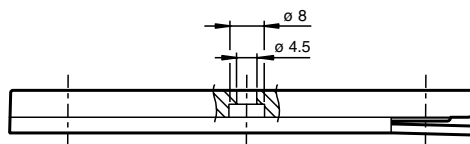
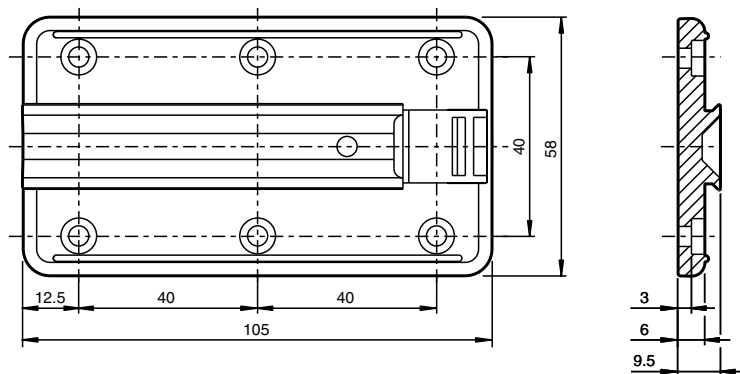
**Note**

with RS 485 interface

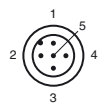
**Dimensions**



**Mounting plate**



WCS2B-LS2... S2 = ON  
WCS2B-LS1... S2 = OFF



**Technical data**

**General specifications**

Passage speed	v	≤ 12.5 m/s
Measuring range		max. 327 m
Free tolerances to code rail		horizontal: 10 mm (± 5 mm) vertical: 10 mm (± 5 mm)
Resolution		± 0.42 mm (1,200 positions/m)

**Functional safety related parameters**

MTTF <sub>d</sub>	60 a
Mission Time (T <sub>M</sub> )	10 a
Diagnostic Coverage (DC)	0 %

**Electrical specifications**

Operating voltage	U <sub>B</sub>	10 ... 30 V DC
-------------------	----------------	----------------

Release date: 2013-06-12 14:39 Date of issue: 2013-06-12 200779-0009\_eng.xml

Power consumption	P <sub>0</sub>	9 VA at 24 V DC
<b>Interface</b>		
Interface type		RS 485 interface
Data output code		binary code
Protocol		1 , 2
Transfer rate		62.5 kBit/s
Termination		with RS 485 termination
<b>Standard conformity</b>		
Emitted interference		DIN EN 61000-6-4
Noise immunity		DIN EN 61000-6-2
Shock resistance		DIN EN 60068-2-27, half sine 30 g, 18 ms
Vibration resistance		DIN EN 60068-2-6, sine, 5 g, 10 - 2000 Hz, 10 cycles
<b>Ambient conditions</b>		
Operating temperature		-40 ... 60 °C (-40 ... 140 °F)
Storage temperature		-40 ... 85 °C (-40 ... 185 °F)
Relative humidity		90 % , noncondensing
<b>Mechanical specifications</b>		
Connection type		M12 x 1 connector, 5-pin
Protection degree		IP54
Material		
Housing		ABS , Polycarbonate , Polyamide (PA)
Mass		500 g
<b>General information</b>		
Ordering information		Mounting plate included with delivery