



**Model number**

**WCS2B-LS310**

Reading head, SSI interface, binary code

**Features**

- SSI interface
- Non-contact, absolute position encoder
- Automatic detection of dirt accumulation

**Accessories**

**WCS-MP1**

Mounting plate for reading heads WCS2 and WCS3

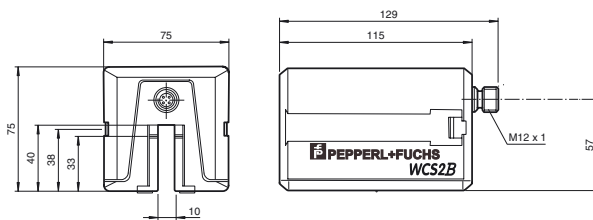
**WCS2-PL2**

Transparent protective case and seal for WCS2 reader

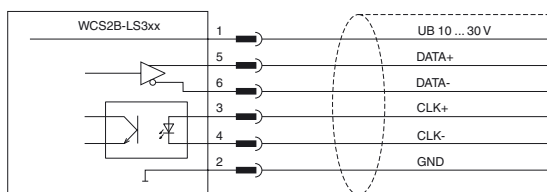
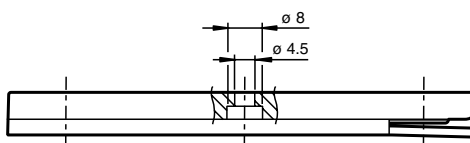
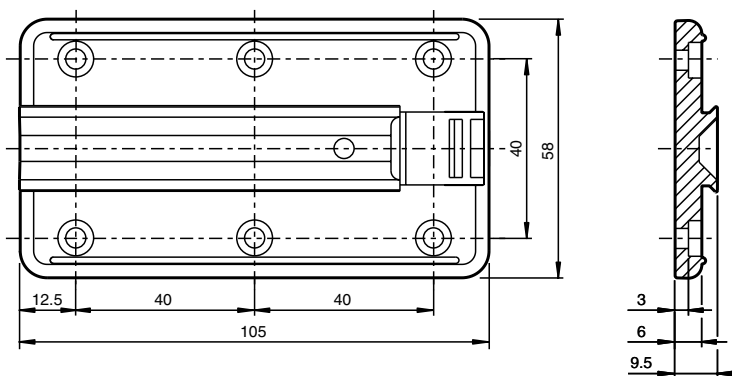
**Note**

with SSI interface

**Dimensions**



**Mounting plate**



**Technical data**

**General specifications**

|                              |   |  |
|------------------------------|---|--|
| Passage speed                | v | ≤ 12.5 m/s   |
| Measuring range              |   | max. 327 m   |
| Free tolerances to code rail |   | horizontal: 10 mm (± 5 mm)<br>vertical: 10 mm (± 5 mm) |
| Resolution                   |   | ± 0.42 mm (1,200 positions/m)                          |

**Functional safety related parameters**

|                                |      |
|--------------------------------|------|
| MTTF <sub>d</sub>              | 60 a |
| Mission Time (T <sub>M</sub> ) | 10 a |
| Diagnostic Coverage (DC)       | 0 %  |

**Electrical specifications**

|                   |                |                |
|-------------------|----------------|----------------|
| Operating voltage | U <sub>B</sub> | 10 ... 30 V DC |
|-------------------|----------------|----------------|

Release date: 2013-06-12 14:39 Date of issue: 2013-06-12 200779-0014\_eng.xml

|                                  |       |   |
|----------------------------------|-------|---|
| Power consumption                | $P_0$ | 2 VA<br>with Option H, heating: 9 VA at 24 V DC                                       |
| <b>Interface</b>                 |       |   |
| Interface type                   |       | SSI interface   |
| Data output code                 |       | binary code , 25 bit  |
| Clock frequency                  |       | 100 ... 1000 kHz  |
| Pause time                       | $t_p$ | $\geq 20 \mu\text{s}$<br>double request possible, if $t_p \leq 10 \mu\text{s}$        |
| <b>Standard conformity</b>       |       |   |
| Emitted interference             |       | DIN EN 61000-6-4  |
| Noise immunity                   |       | DIN EN 61000-6-2  |
| Shock resistance                 |       | DIN EN 60068-2-27, half sine 30 g, 18 ms  |
| Vibration resistance             |       | DIN EN 60068-2-6, sine, 5 g, 10 - 2000 Hz, 10 cycles                                  |
| <b>Ambient conditions</b>        |       |   |
| Operating temperature            |       | 0 ... 60 °C (32 ... 140 °F)<br>with Option H, heating: -40 ... 60 °C (-40 ... 140 °F) |
| Storage temperature              |       | -40 ... 85 °C (-40 ... 185 °F)  |
| Relative humidity                |       | 90 % , noncondensing  |
| <b>Mechanical specifications</b> |       |   |
| Connection type                  |       | 8-pin, M12 x 1 connector  |
| Protection degree                |       | IP54  |
| <b>Material</b>                  |       |   |
| Housing                          |       | ABS , Polycarbonate , Polyamide (PA)  |
| Mass                             |       | 500 g   |
| <b>General information</b>       |       |   |
| Ordering information             |       | Mounting plate included with delivery   |