



**Model Number**

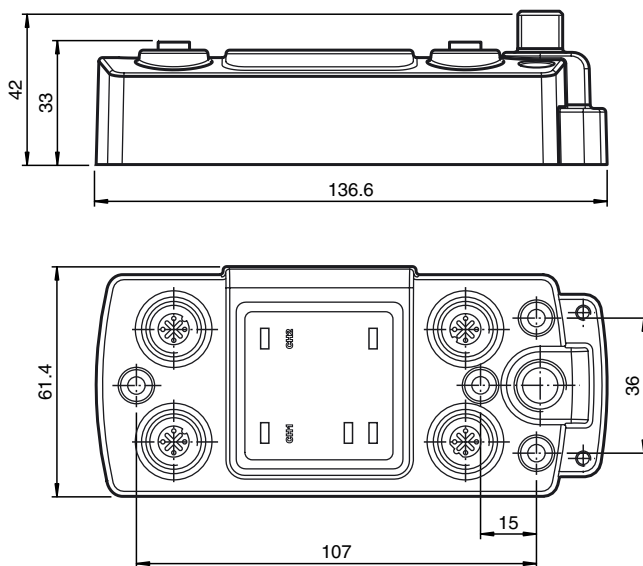
**IC-KP2-1HB17-2V1D**

IDENTControl Compact control interface  
 With Ethernet interface for TCP/IP,  
 PROFINET, EtherNet/IP, and MODBUS  
 TCP protocols

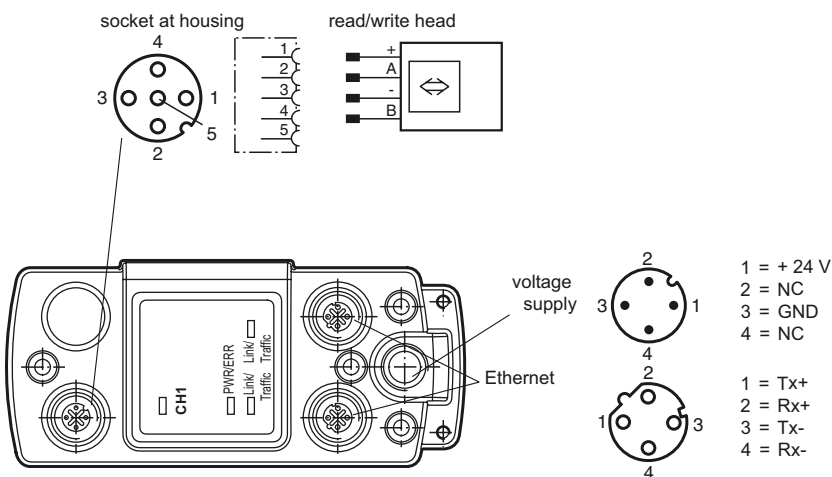
**Features**

- LED status indicator of bus communication and read/write head
- Network loop through by means of integrated 2 port switch

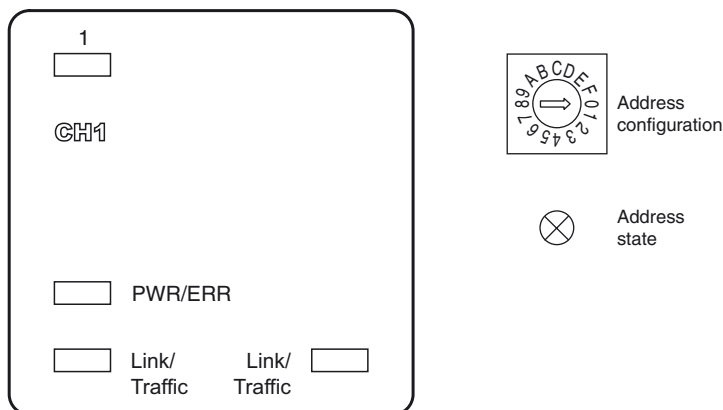
**Dimensions**



**Electrical connection**



**Indicating / Operating means**



Release date: 2018-01-11 16:18 Date of issue: 2018-01-11 200876\_eng.xml

Refer to "General Notes Relating to Pepperl+Fuchs Product Information".

**Technical data**

**General specifications**

Number of read/write heads	max. 1
UL File Number	E87056

**Functional safety related parameters**

MTTF <sub>d</sub>	140 a
Mission Time (T <sub>M</sub> )	10 a
Diagnostic Coverage (DC)	0 %

**Indicators/operating means**

LED Link/Traffic	green: network connection yellow: flashes in rhythm with the transmitted data
LED 1	Status indicator for read/write head green: command at read/write head active yellow: approx. 1 second long, if command was successfully executed
LED CH1	green: read head detected red: Configuration error
LED PWR/ERR	green: power on yellow: system is starting red: PROFINET bus failure
Rotary switch	Address setting

**Electrical specifications**

Rated operating voltage	U <sub>e</sub>	20 ... 30 V DC , PELV
Ripple		≤ 10 % at 30 V DC
Current consumption		≤ 2 A incl. read/write head
Power consumption	P <sub>0</sub>	3.5 W Without read/write heads
Galvanic isolation		basic insulation acc. to DIN EN 50178, rated insulation voltage of 50 V <sub>eff</sub>

**Interface 1**

Physical	Ethernet
Protocol	SMTP HTTP TCP/IP (Port 10000) MODBUS/TCP EtherNet/IP PROFINET IO
Transfer rate	10 MBit/s or 100 MBit/s

**Directive conformity**

Electromagnetic compatibility	
Directive 2014/30/EU	EN 61000-6-2:2005, EN 61000-6-4:2007

**Standard conformity**

Degree of protection	IEC 60529:2001
----------------------	----------------

**Ambient conditions**

Ambient temperature	-25 ... 70 °C (-13 ... 158 °F)
Storage temperature	-40 ... 85 °C (-40 ... 185 °F)
Climatic conditions	air humidity max. 96 % Salt spray resistant to EN 60068-2-52
Shock and impact resistance	Oscillation (Sine): 5 g, 10 - 1000 Hz to EN 60068-2-6 Shock (Half-sine): 30 g, 11 ms in accordance with EN 60068-2-27

**Mechanical specifications**

Degree of protection	IP67
Connection	Read/write heads: shielded, 4-pin, M12 connector Power supply: M12 connector Protective earth: M4 earthing screw Ethernet: M12 plug connection
Material	
Housing	powder coated aluminum
Installation	screw fixing
Mass	approx. 300 g

**Function**

The RFID identification system **IDENTControl Compact** from Pepperl+Fuchs offers a vast number of benefits compared to other systems, thanks to its innovative design. The control interfaces **IDENTControl** and **IDENTControl Compact** make up the core of the system.

With its integrated interfaces to all commercially available fieldbus systems such as PROFIBUS, PROFINET, Ethernet, EtherCAT, CC-Link, serial connections (RS 232 or RS 485) and numerous connection options for read/write heads available for frequency ranges LF, HF and UHF, the **IDENTControl Compact** control interface can be easily and flexibly adapted to your requirements.

LEDs on the front of the housing indicate bus communication, connected read/write heads and active read/write commands. Reliability of the application is further increased by using trigger sensors.

The system is equally suited for use in control cabinets and field use in IP67. The interface to the higher-level fieldbus is integrated in the housing, and all connections are designed such that they are pluggable. This enables simple installation and quick, problem-free replacement in case of device failure. The consistent EMC design, with metal housing, grounding and shielded wires, offers a high degree of reliability.

**Accessories**

**V1-G-5M-PUR-ABG-V1-W**

Connecting cable, M12 to M12, PUR cable 4-pin, shielded

**ICZ-MH05-SACB-8**

Mounting aid for DIN rail

**V1SD-G-5M-PUR-ABG-V45-G**

Connection cable, M12 to RJ-45, PUR cable 4-pin, CAT5e

**RFIDControl**

Software for RFID identification systems

Release date: 2018-01-11 16:18 Date of issue: 2018-01-11 200876\_eng.xml