

Model Number

V1-4A-E-5M-PUR

Quadruple splitter box with M12 connector with basic cable, NPN

Features

- Flat housing
- LED indicator for module supply and I/O status
- Degree of protection IP67
- UL Recognized Component

Accessories

VAZ-V1-B3

Blind plug for M12 sockets

MH 05-SACB-4

Mounting aid for splitter boxes for DIN rail

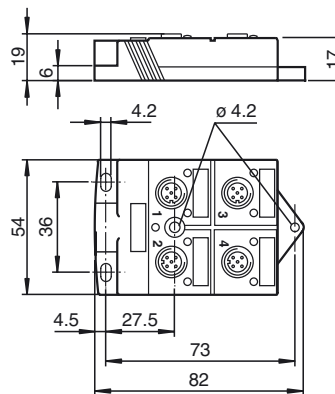
MH V1-SCREWDRIVER

torque screwdriver (0.4 Nm)

MH V1-BIT M12

plug-in cap M12

Dimensions



Technical data

General specifications

Number of pins	4
UL File Number	E191152

Electrical specifications

Operating voltage	U_B	24 V DC, max. 30 V DC
Operating current	I_B	≤ 5 mA per channel indication element
Current loading capacity		≤ 2 A per channel, ≤ 4 A per plug-in station, ≤ 12 A total current per separator

Output

Number/Type	4
-------------	---

Ambient conditions

Ambient temperature	-25 ... 75 °C (-13 ... 167 °F) cable, flexing: -5 ... 80 °C (23 ... 176 °F) cable, fixed: -40 ... 90 °C (-40 ... 194 °F)
---------------------	--

Mechanical specifications

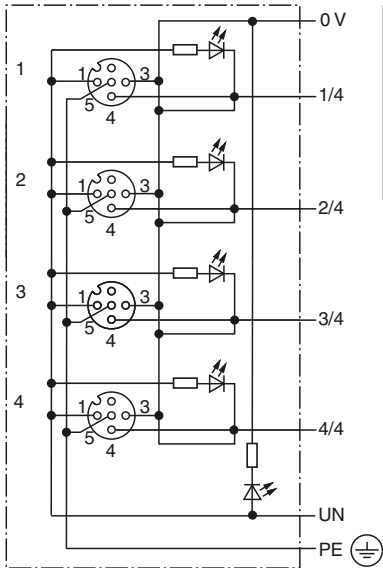
Connection type	4 x socket M12 x 1 4-pin Master cable
Degree of protection	IP65/IP67
Material	
Contacts	CuSn
Contact surface	Ni/Au
Housing	PA
Cable	PUR
Seal	O-ring: NBR
Cable	flexible
Sheath diameter	8.7 mm
Bending radius	> 10 x cable diameter, moving
Color	black
Cores	Signalling line (4): 4×0.34 mm ² (AWG 22) Supply line (1, 3), PE (5): 3×0.75 mm ² (AWG 18)
Conductor construction	42×0.1 mm \varnothing 96×0.1 mm \varnothing
Length	L 5 m
Mass	approx. 609 g
Flammability	94 V-0

Compliance with standards and directives

Standard conformity	
Degree of protection	EN 60529
Flammability	DIN EN 50265-2-1

Release date: 2018-02-16 15:47 Date of issue: 2018-02-16 202623_eng.xml

Electrical connection



Slot/Pin (signal)	Color
1 / 4 (A)	WH
2 / 4 (A)	GN
3 / 4 (A)	YE
4 / 4 (A)	GY
1-4 / 1 (UN)	BN
1-4 / 3 (0 V)	BU
1-4 / 5 (PE)	GN/YE

