



Model Number

TR 14/30/50/60

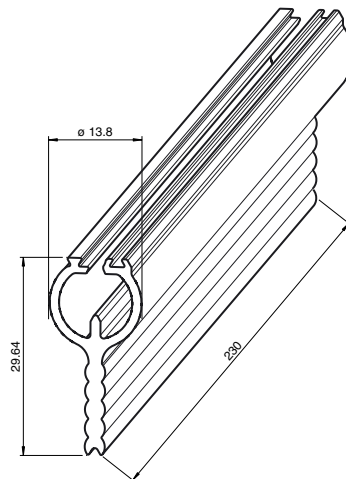
Test rod for safety light curtain SLCT

Features

- Universal test rod for device test of all light curtains from the SLCT and SLCS series

Test rod for testing resolution

Dimensions

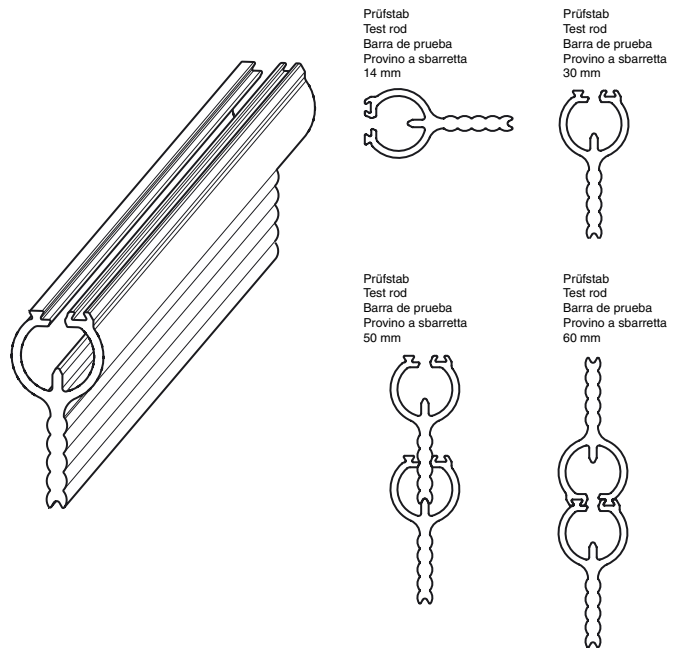


Technical data

Mechanical specifications

Material	Aluminum
Mass	approx. 105 g

Indicators / operating means



Release date: 2017-09-27 16:36 Date of issue: 2017-09-27 205992_eng.xml

Refer to "General Notes Relating to Pepperl+Fuchs Product Information".

Pepperl+Fuchs Group
www.pepperl-fuchs.com

USA: +1 330 486 0001
fa-info@us.pepperl-fuchs.com

Germany: +49 621 776 4411
fa-info@de.pepperl-fuchs.com

Singapore: +65 6779 9091
fa-info@sg.pepperl-fuchs.com