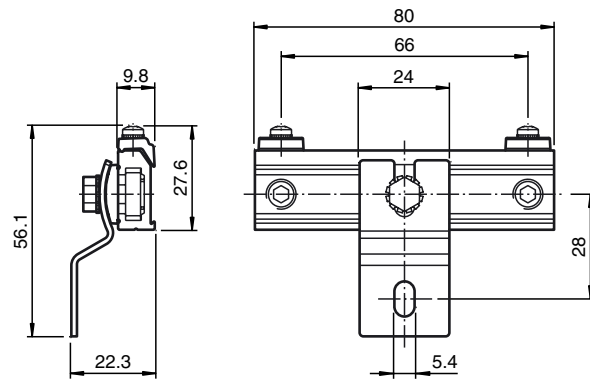




Dimensions



Model Number

OMH-SLCT-03

Mounting bracket including adjustment

Features

- Mounting bracket
- Simple and fast mounting

Technical data

General specifications

Setting angle $\pm 7^\circ$

Mechanical specifications

Material Aluminum

Mass approx. 70 g

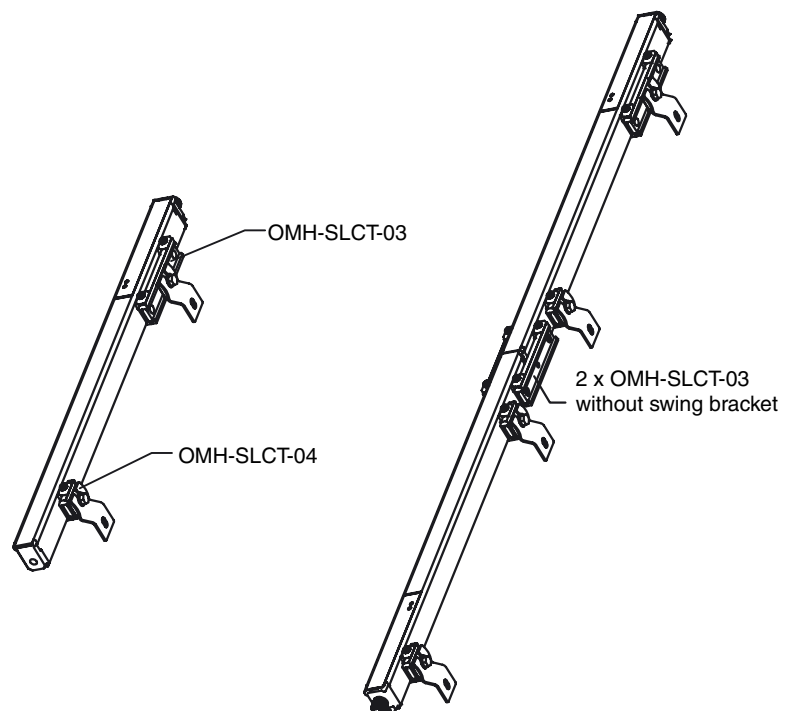
General information

Scope of delivery Mounting bracket ; 1 Slotted plate ; 4 T-slides ; Screw kit ; Screwdriver

Suitable series

Safety Series SLCT
SLCS

Mounting note



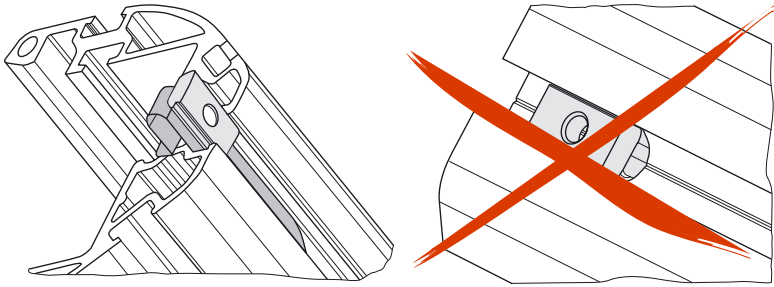
Slotted plate mounting aid

Each package comes with a slotted plate.

To prevent the t-slides from clipping into the upper hole, cover the hole with the slotted plate.

Release date: 2017-09-27 16:45 Date of issue: 2017-09-27 205994_eng.xml

Then slide the t-slides into the guide.



Release date: 2017-09-27 16:45 Date of issue: 2017-09-27 205994_eng.xml