

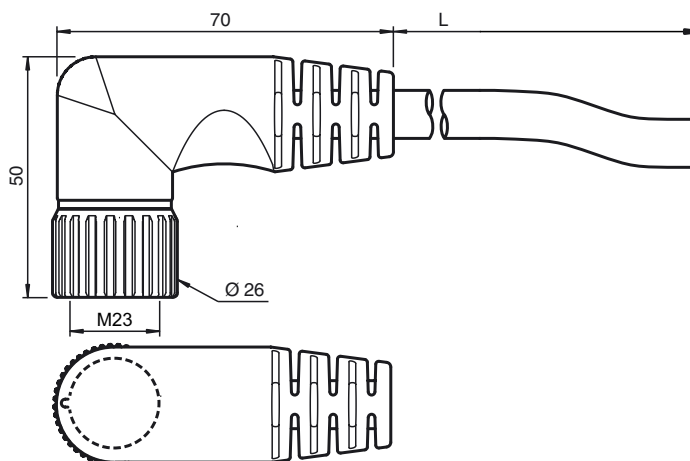


Model Number

V23-19-W-10M-PUR

Female cordset, M23, 19-pin, PUR cable

Dimensions



Technical data

General specifications

Number of pins	19
Connection 1	socket
Construction type 1	right angle
Threading 1	M23
Connection 2	cable end

Electrical specifications

Operating voltage	U_B	150 V AC
Operating current	I_B	12 A

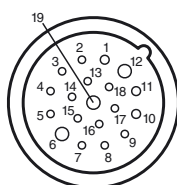
Ambient conditions

Ambient temperature	-30 ... 70 °C (-22 ... 158 °F) (fixed cable)
Storage temperature	-5 ... 70 °C (23 ... 158 °F) (movable cable)
Pollution degree	2

Mechanical specifications

Material	
Cable	PUR/PVC
Cable	
Sheath diameter	Ø 11.6 mm
Color	black
Cores	16 x 0.5 mm ² and 3 x 1 mm ²
Length	L 10 m

Electrical connection



1	VT	11	BK
2	RD	12	GN/YE
3	GY	13	YE/BN
4	RD/BU	14	BN/GN
5	GN	15	WH
6	BU	16	YE
7	GY/PK	17	PK
8	WH/GN	18	GY/BN
9	WH/YE	19	BN
10	WH/GY		