



### Model Number

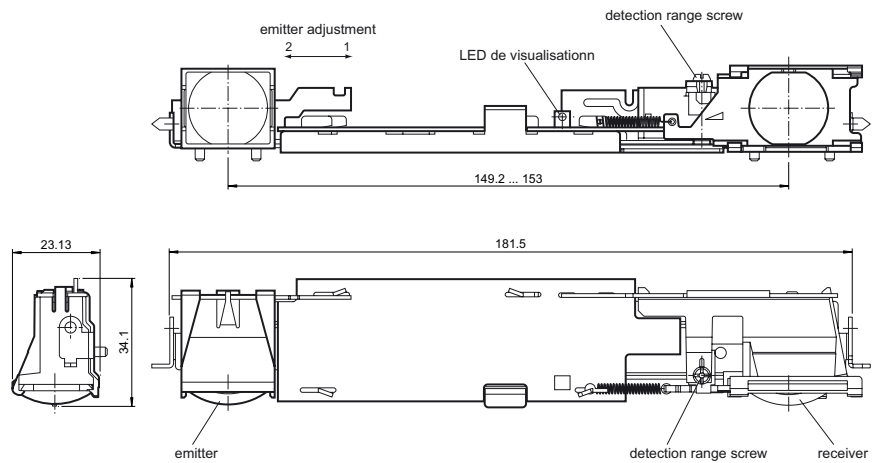
**AIR17-S Slave**

Sensor module

### Features

- Sensor module for configurable TopS-can-S
- Slave module
- Category 2, tested and certified to DIN 18650/EN 16005
- Safe function even on difficult floors
- Easy adjustment of transmitter for hinge side/ opposite hinge side

### Dimensions



## Technical data

### General specifications

Detection range min.	0 ... 1500 mm
Detection range max.	0 ... 2500 mm
Light source	IREd
Light type	modulated infrared light
Black/White difference (6%/90%)	< 2 % at 2000 mm sensor range
Operating mode	Background evaluation
Diameter of the light spot	1.1 cm x 8.3 cm at 2000 mm sensor range

### Functional safety related parameters

MTTF <sub>d</sub>	880 a
Mission Time (T <sub>M</sub> )	20 a
Diagnostic Coverage (DC)	90 %

### Indicators/operating means

Function display	LED red/green
Controls	Detection range adjuster

### Electrical specifications

Operating voltage	U <sub>B</sub>	24 V DC +/- 20 %
No-load supply current	I <sub>0</sub>	65 mA

### Output

Response time	≤ 70 ms
---------------	---------

### Ambient conditions

Ambient temperature	-10 ... 50 °C (14 ... 122 °F)
---------------------	-------------------------------

### Mechanical specifications

Mounting height	max. 2500 mm
-----------------	--------------

### Approvals and certificates

CCC approval	CCC approval / marking not required for products rated ≤36 V
--------------	--

## Design of the device

