

**Model Number**

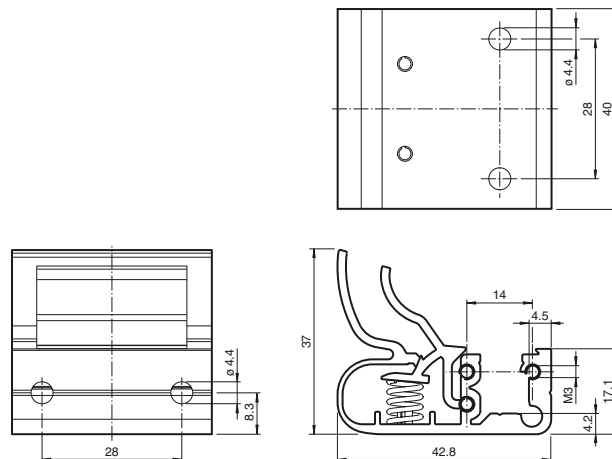
**OMH-SLCT-01**

Quick clamp and adjustment system

**Features**

- Mounting bracket
- Simple and fast mounting

**Dimensions**



**Technical data**

**Mechanical specifications**

Material	Aluminum
Mass	approx. 36 g

**General information**

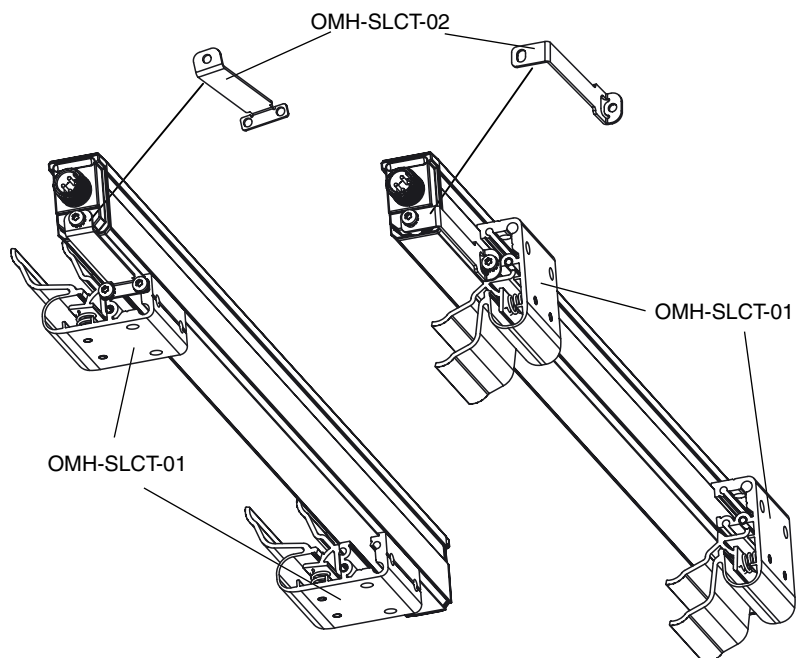
Scope of delivery	Mounting bracket ; 1 Slotted plate ; 4 T-slides ; Screw kit
-------------------	-------------------------------------------------------------

**Suitable series**

Safety Series	SLCT SLCS
---------------	--------------

**Mounting note**

Rear view and lateral mounting.

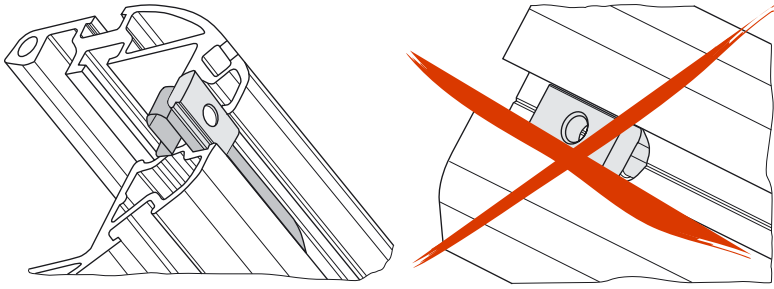


**Slotted plate mounting aid**

Each package comes with a slotted plate.  
To prevent the t-slides from clipping into the upper hole, cover the hole with the slotted plate.

Release date: 2017-09-27 16:45 Date of issue: 2017-09-27 208706\_eng.xml

Then slide the t-slides into the guide.



Release date: 2017-09-27 16:45 Date of issue: 2017-09-27 208706\_eng.xml