



**Model Number**

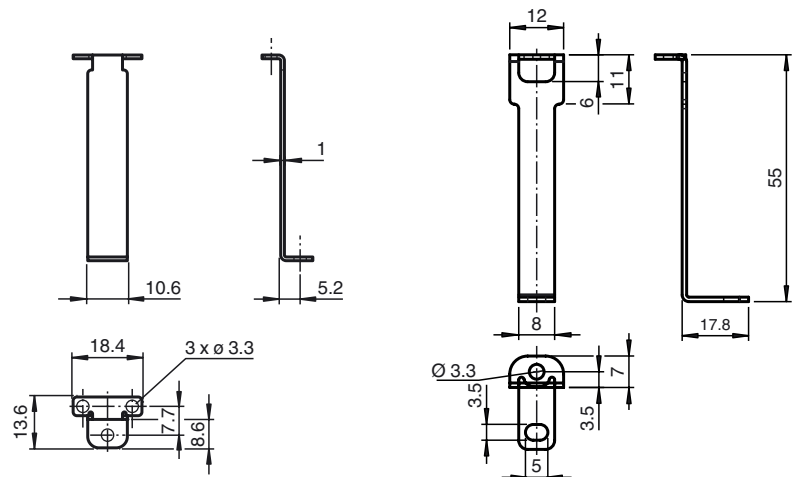
**OMH-SLCT-02**

Attachment aid for OMH-SLCT-01

**Features**

- Mounting bracket
- Simple and fast mounting

**Dimensions**



**Technical data**

**Mechanical specifications**

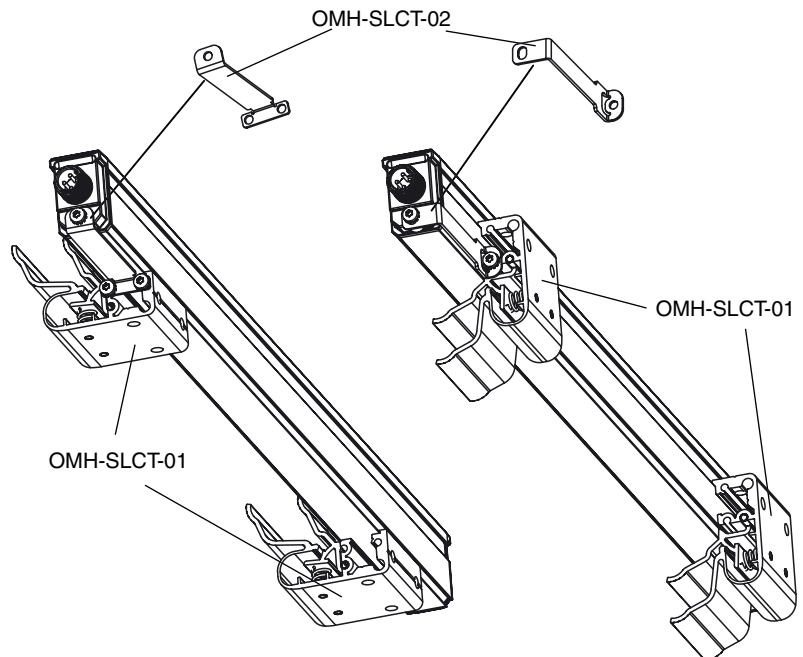
Material	Stainless steel
Mass	approx. 12 g
Mounting	Mounting accessories included

**Suitable series**

Safety Series	SLCT SLCS
---------------	--------------

**Mounting note**

Rear view and lateral mounting.



Release date: 2017-09-27 16:45 Date of issue: 2017-09-27 208707\_eng.xml