



Model Number

OMH-VDM100-01

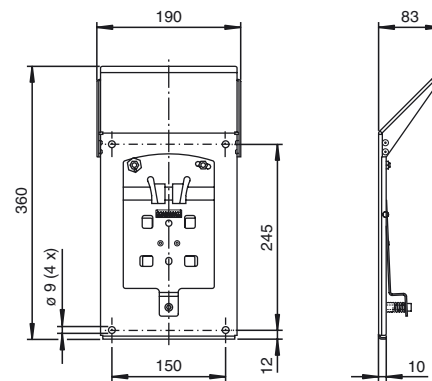
Mounting bracket with deviation mirror for distance measurement devices

Features

- Mounting bracket
- Fixing with latching spring or latch fastener for easy installation

Quick lock and adjustment device with integrated mirror for 90° deflection for VDM100 series

Dimensions



Technical data

Nominal ratings

Repeat accuracy The repeating accuracy of the device used does not change.

Performance characteristics

Accuracy ± 1 mm (This fault is added to the fault in the device used)

Mechanical specifications

Material high-grade steel,
deflector mirror: glass

Mass approx. 1650 g