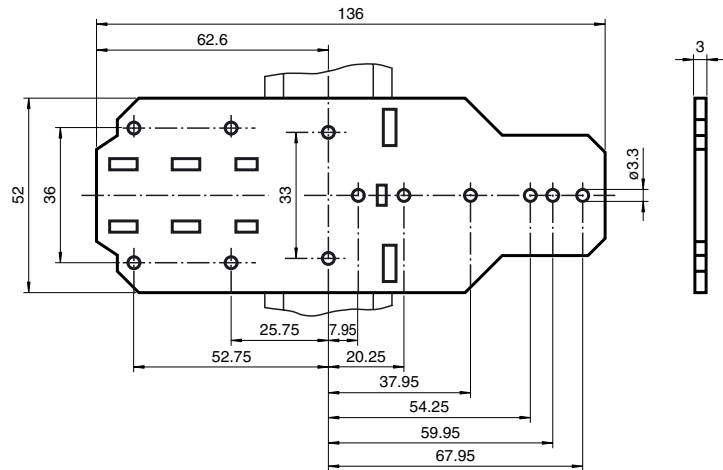




Dimensions



Model Number

ICZ-MH05-SACB-8

Mounting aid for DIN rail

Features

- Mounting accessory for DIN rail

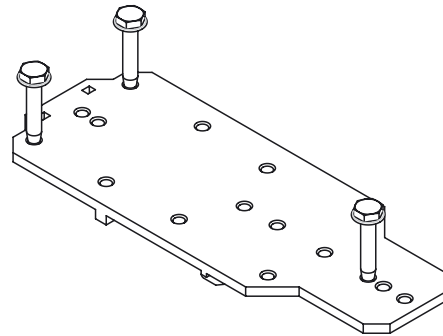
Technical data

Mechanical specifications

Material	Diecast zinc
Mass	approx. 150 g
Dimensions	136 mm x 52 mm x 3 mm

Notes

Position of the mounting screws:



Notes

Scope of delivery

Mounting aid, consisting of

- 1 Universal mounting rail adapter
- 3 thread rolling screws (DIN 7500 C), cross recess Z2 (M4 x 25/head DIN 7985), zinc plated

Release date: 2015-01-20 10:26 Date of issue: 2015-01-20 213526_eng.xml