



CE

Model Number

OMH-RL31-06

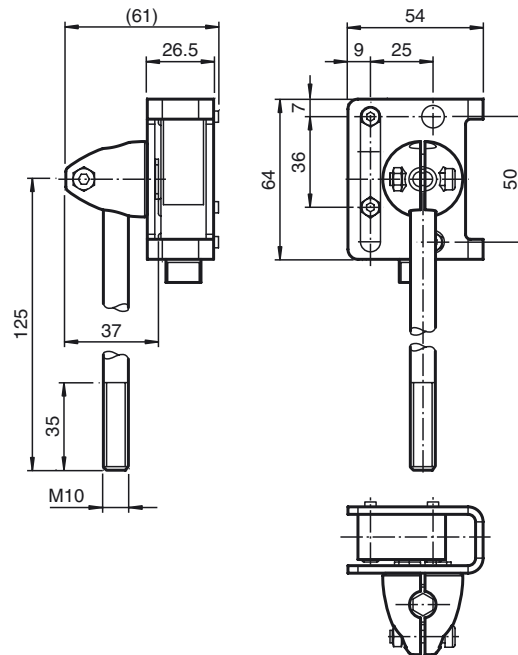
Stainless steel mounting bracket with adjustable half clamp on the side

Features

- Mounting bracket
- Simple and fast mounting
- Fixed setting

Mounting bracket for series 31 sensors

Dimensions



Technical data

Mechanical specifications

Material	Stainless steel
Mass	approx. 303 g
Mounting	Mounting accessories included

Suitable series

Series	Series 31
--------	-----------