



**Model Number**

**PMI14V-F166-U-1M-V15-Y215628**

**Features**

- Analog output 0 ... 10 V
- Measuring range 0 ... 14 mm
- Scaleable measurement range programmable via cable

**Technical data**

**General specifications**

Switching element function	Analog voltage output
Object distance	0.5 ... 2 mm
Measurement range	0 ... 14 mm

**Nominal ratings**

Operating voltage $U_B$	18 ... 30 V
Reverse polarity protection	reverse polarity protected
Linearity error	$\pm 0.3$ mm
Repeat accuracy R	$\pm 0.05$ mm
Resolution	33 $\mu$ m
Temperature drift	$\pm 0.4$ mm
No-load supply current $I_0$	$\leq 20$ mA

**Analog output**

Output type	1 voltage output: 0 ... 10 V
Load resistor	$\geq 1000 \Omega$
Short-circuit protection	pulsing

**Ambient conditions**

Ambient temperature	-10 ... 70 °C (14 ... 158 °F)
---------------------	-------------------------------

**Mechanical specifications**

Connection type	Male cordset, M12 , 5-pin 1 m, PUR cable
-----------------	---

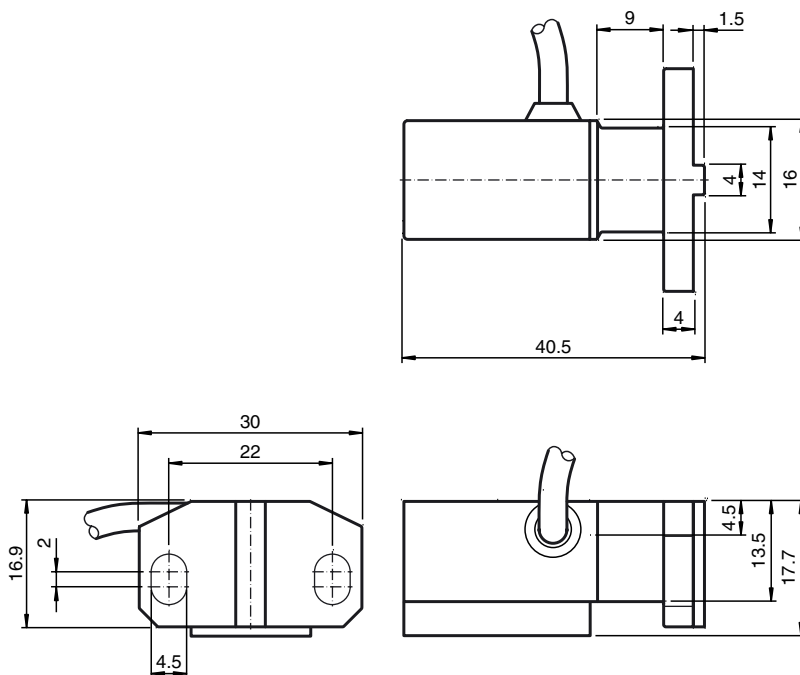
**Material**

Housing	Zinc die-casting, nickel-plated cover , PBT
Target	mild steel, e. g. 1.0037, SR235JR (formerly St37-2)
Mass	71 g

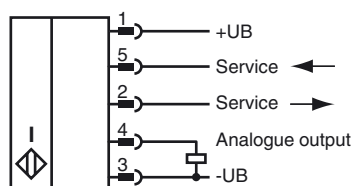
**Compliance with standards and directives**

Standard conformity	
Standards	EN 60947-5-2:2007 IEC 60947-5-2:2007

**Dimensions**

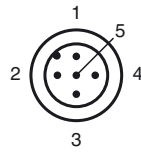


**Electrical Connection**



Release date: 2016-12-07 08:17 Date of issue: 2016-12-07 215628\_eng.xml

**Pinout**



Wire colors in accordance with EN 60947-5-2

1		BN	(brown)
2		WH	(white)
3		BU	(blue)
4		BK	(black)
5		GY	(gray)

**Accessories**

**BT-F90-W**

Damping element for sensors of type F90, F112, and F166; side hole

**BT-F90-G**

Damping element for sensors of type F90, F112, and F166; front hole

**Additional Information**

dimensions for the target object:

