



Model Number

ICZ-AIDA1-V45

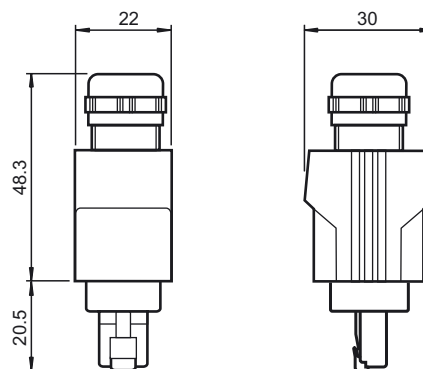
Plug connector for RJ-45

Accessories

CBL-PUR-PN-GN-04x034-100M

Cable, PROFINET, PUR/PE, 4-wire, shielded

Dimensions



Technical data

General specifications

Number of pins	4
----------------	---

Electrical specifications

Rated current	I_r	1.75 A
Nominal voltage		50 V

Ambient conditions

Ambient temperature	-40 ... 70 °C (-40 ... 158 °F)
---------------------	--------------------------------

Mechanical specifications

Degree of protection	IP65/IP67
Connection	RJ-45
Material	
Contacts	Cu alloy
Contact surface	Au
Housing	Zinc die-casting, nickel-plated
Cable	
Sheath diameter	5 mm ... 8 mm
Core diameter	0.13 mm ² ... 0.32 mm ² (solid) 0.14 mm ² ... 0.36 mm ² (stranded) 26 ... 22 AWG (solid/stranded)
Mass	68 g

Compliance with standards and directives

Standard conformity	
Standards	CAT5 (IEC 11801:2002) , CAT5e (TIA 568B:2001)