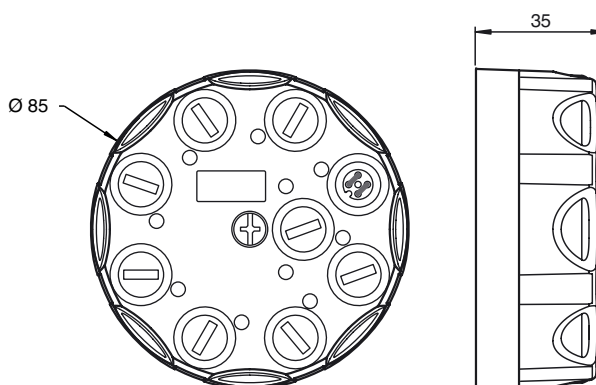
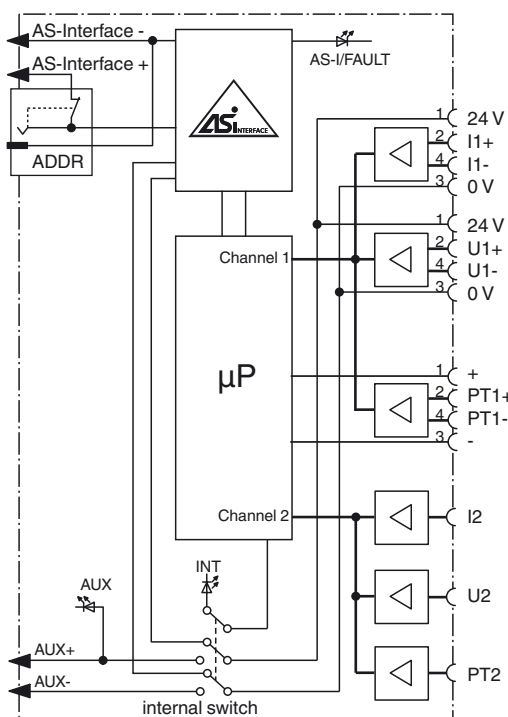




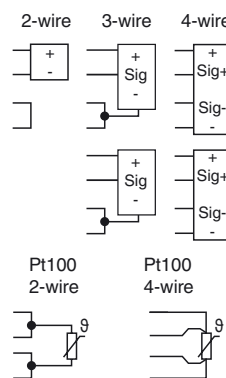
Dimensions



Electrical connection



Connection examples:



I2 Current input 2  
U2 Voltage input 2  
PT2 Pt100 input 2

Model number

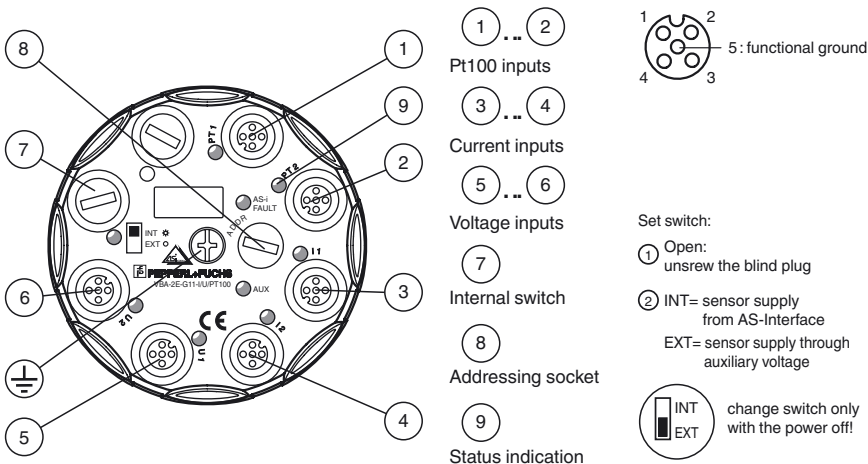
VBA-2E-G11-I/U/PT100-F

G11 analog module  
2 analog inputs

Features

- Addressing jack
- Function display for bus, internal and external sensor power supply, inputs
- Supply for inputs from AS-Interface or auxiliary voltage
- Degree of protection IP68 / IP69K
- Accuracy ± 0.1 %
- Integrated shielding
- Channel-specific input monitoring
- Inputs for current, voltage or Pt100 temperature sensor

Indicating / Operating means



Release date: 2019-01-09 10:20 Date of issue: 2019-01-09 222331\_Leng.xml

Refer to "General Notes Relating to Pepperl+Fuchs Product Information".

Pepperl+Fuchs Group  
www.pepperl-fuchs.com

USA: +1 330 486 0001  
fa-info@us.pepperl-fuchs.com

Germany: +49 621 776 4411  
fa-info@de.pepperl-fuchs.com

Singapore: +65 6779 9091  
fa-info@sg.pepperl-fuchs.com

**Technical data****General specifications**

Slave type	Standard slave
AS-Interface specification	V3.0
Required master specification	≥ V2.1
UL File Number	E223772

**Functional safety related parameters**

MTTF <sub>d</sub>	190 a
Mission Time (T <sub>M</sub> )	20 a
Diagnostic Coverage (DC)	0 %

**Indicators/operating means**

LED AS-i/FAULT	Status display; multi-colour LED Green: normal operation Red: communication fault Flashing yellow/red: address 0 Flashing green/red: peripheral fault
LED ANALOG	status of input signal; LED yellow off: not active on: signal within measurement range flashing: signal outside of measurement range
LED AUX	ext. auxiliary voltage U <sub>AUX</sub> ; dual LED green/red green: voltage OK red: reverse voltage
LED INT/EXT	status display input supply; LED green green: input supply from AS-Interface off: input supply from auxiliary voltage

**Electrical specifications**

Auxiliary voltage (output)	U <sub>AUX</sub>	20 ... 30 V DC PELV
Rated operating voltage	U <sub>e</sub>	26.5 ... 31.6 V from AS-Interface
Rated operating current	I <sub>e</sub>	≤ 60 mA (without sensors) / max. 200 mA
Protection class		III
Surge protection	U <sub>AUX</sub> , U <sub>in</sub>	Over voltage category III, safe isolated power supplies (PELV)

**Input**

Number/Type	2 analog inputs Current: 0 ... 20 mA/4 ... 20 mA voltage: 0 ... 10 V Pt100: -200 ... 850 °C
Supply	from AS-Interface (switch position INT, default settings) or auxiliary voltage U <sub>EXT</sub> (switch position EXT)
Current loading capacity	≤ 140 mA from AS-Interface; overload and short-circuit resistant ≤ 600 mA from external auxiliary voltage U <sub>AUX</sub> , overload and short-circuit protected
Input resistance	current input: ≤ 70 Ω voltage input: 100 kΩ
Measuring current	for Pt100: approx. 1 mA
Accuracy	Voltage/current: 0.1% of accumulated value Pt100: 0.1% of indicated temperature [°C] + 0.3 °C
Resolution	16 Bit / 1 μA (current input) or 16 bit / 1 mV (voltage input) or 16 Bit / 0.1°C (temperature input)
Temperature influence	Voltage/current: 20 ppm/K Pt100: (10 ppm of indicated temperature [°C] + 0.003 °C)/K

**Directive conformity**

Electromagnetic compatibility	
Directive 2014/30/EU	EN 62026-2:2013

**Standard conformity**

Degree of protection	EN 60529:2000
Fieldbus standard	EN 62026-2:2013
Input	EN 61131-2:2007
Emitted interference	EN 61000-6-4:2007
AS-Interface	EN 62026-2:2013
Noise immunity	EN 61000-6-2:2005, EN 61326-1:2006, EN 62026-2:2013

**Programming instructions**

Profile	S-7.3.D
IO code	7
ID code	3
ID1 code	F
ID2 code	D

**Data bits** (function via AS-Interface) The transfer of the data value is based on AS-Interface Profile 7.3.

**Parameter bits** (programmable via AS-i) **function**

P0	50/60 Hz filter P0=1, enabled P0=0, disabled
P1	projecting of the 2nd channel P1=1, channel 2 is projected P1=0, channel 2 is not projected

**Function**

The VBA-2E-G11-I/U/PT100-\* analog module has two analog inputs which can be current input (4 mA to 20 mA), voltage input (0 to 10 V) or resistance thermometer input (-200 to 850 °C).

The power supply to the measurement value generators takes place depending on the position of the internal slide switch, via AS-Interface or through auxiliary voltage. The choice of input supply is displayed via the INT/EXT LED.

Measured value conversion and data transfer is provided asynchronously according to the AS-Interface profile 7.3. The resolution of the analog values is 16 bit with a value range of 4000 to 20000 (current input), 0 to 10000 (voltage input) and -200 °C to 850 °C (resistance thermometer input). Network interference can be eliminated with a configurable filter (50 Hz/60 Hz) in the A/D converter.

**Note:**

An overload of the internal input supply is also reported to the AS-Interface master via the 'peripheral fault' function. Communication via the AS-Interface continues.

**Accessories****VBP-HH1-V3.0-KIT**

AS-Interface Handheld with accessory

**VAZ-V1-B3**

Blind plug for M12 sockets

**VAZ-PK-1,5M-V1-G**

Adapter cable module/hand-held programming device

**VAZ-FK-S-BK-SEAL**

AS-Interface flat cable seal

**V1-G-0,3M-PUR-ABG-V1-W-Y**

Connecting cable, M12 to M12, PUR cable, 4-pin, bridged, shielded

**V1-G-42,03M-PUR-ABG-V1-W-Y**

Connecting cable, M12 to M12, PUR cable, 4-pin, bridged, shielded

P2	Indication of the peripheral fault by exceeding measuring range P2=1, peripheral fault is reported P2=0, peripheral fault is not reported
P3	P3=1, normal operating mode P3=0, both channels in current mode and without recognition of wire breakage

**Ambient conditions**

Ambient temperature	-25 ... 70 °C (-13 ... 158 °F)
Storage temperature	-25 ... 85 °C (-13 ... 185 °F)
Relative humidity	85 % , noncondensing
Climatic conditions	For indoor use only
Altitude	≤ 2000 m above MSL
Pollution degree	3

**Mechanical specifications**

Degree of protection	IP68 / IP69K
Connection	AS-Interface/U <sub>AUX</sub> : cable piercing method, flat cable yellow/flat cable black Inputs: M12 round connector
Material	
Housing	PBT PC
Mounting screw	Stainless steel 1.4305 / AISI 303
Mass	200 g
Tightening torque, housing screws	1.8 Nm
Tightening torque, cable gland	0.4 Nm
Mounting	Mounting plate

**Notes**

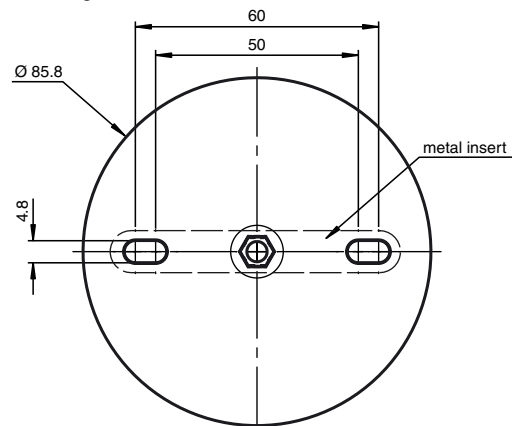
Do not connect inputs and outputs, which are supplied via the module from AS-interface or via auxiliary power, with power supply and signal circuits with external potentials.

**Connecting instruction**

Use shielded cable to connect the sensors.

**Mounting instructions**

Screw the device onto a level mounting surface using two M4 attachment screws. The functional earth of the M12 round connectors is connected with the metal insert in the base via the tightened central screw. Make sure that the metal insert is connected to protective earth via the mounting screws. The mounting screws are not included.



Screw a blind plug into spare connections to ensure the protection category.

**Shutdown 2nd channel**

When delivered, the PT100 input PT2 is bridged to turn off channel 2. Remove the bridge to use channel 1 & 2.