



Model Number

IQH2-L2-V1

HF read/write head, ISO 14443, for IDENTControl

Features

- Operating frequency 13.56 MHz
- Complies with ISO 14443
- VariKont L^(r) Type with variable alignment capability in 15° steps and front face in 90° steps
- Connection via V1 (M12 x 1) plug connection
- 4 x dual LEDs on the corners for visibility on all sides
- Degree of protection IP67
- For connection to IDENTControl control interface

Accessories

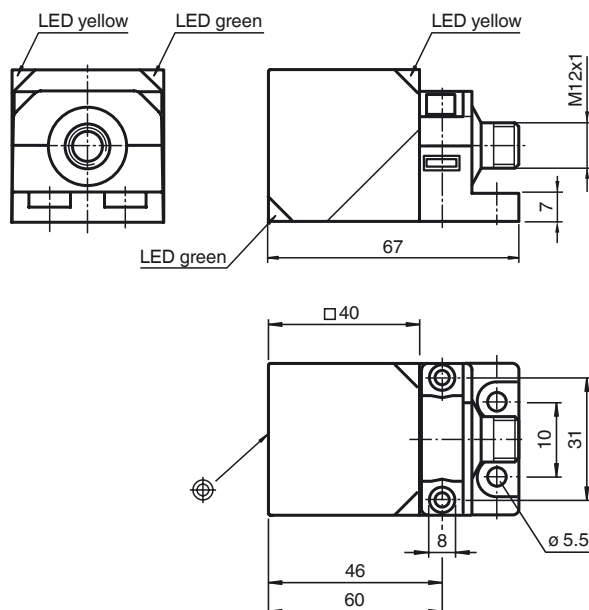
V1-G-5M-PUR-ABG-V1-W

Connecting cable, M12 to M12, PUR cable 4-pin, shielded

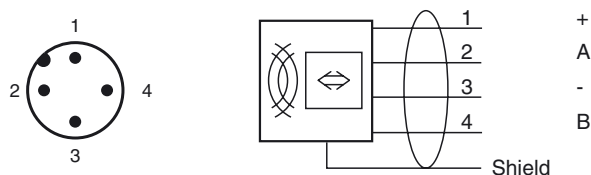
V1-G-10M-PUR-ABG-V1-W

Connecting cable, M12 to M12, PUR cable 4-pin, shielded

Dimensions



Electrical connection



Technical data

General specifications

Operating frequency	13.56 MHz
Transfer rate	106 kBit/s
Sensing range	
Read distance	0 ... 40 mm
Write distance	0 ... 40 mm
Width	max. 50 mm

Indicators/operating means

LED green/yellow	green: power on green flashing: read/write attempt performed yellow: data carrier detected
------------------	--------------------------------------------------------------------------------------------------

Electrical specifications

Power consumption	P_0	≤ 1.3 W
Supply		from the IDENTControl

Ambient conditions

Ambient temperature	-25 ... 70 °C (-13 ... 158 °F)
Storage temperature	-40 ... 85 °C (-40 ... 185 °F)

Mechanical specifications

Degree of protection	IP67
Connection	M12 x 1 connector
Material	
Housing	PA-GF35 Zinc die cast
Encapsulation compound	CY 221/HY 2966
Installation	non-flush in metal
Distance between two heads	Multiplex on: ≥ 100 mm Multiplex off: ≥ 150 mm
Mass	approx. 210 g

Compliance with standards and directives

Directive conformity	
R&TTE Directive 1995/5/EC	EN 301489-1 V1.8.1 (2008-04), EN 301489-3 V1.4.1 (2002-08), EN 300330-2 V1.3.1 (2006-04), EN 60950-1:2006
Standard conformity	
Degree of protection	EN 60529:2000
RFID	ISO/IEC 14443-2:2010, ISO/IEC 14443-3:2001

Release date: 2017-10-11 14:35 Date of issue: 2017-10-11 22:57:53_eng.xml