



Model Number

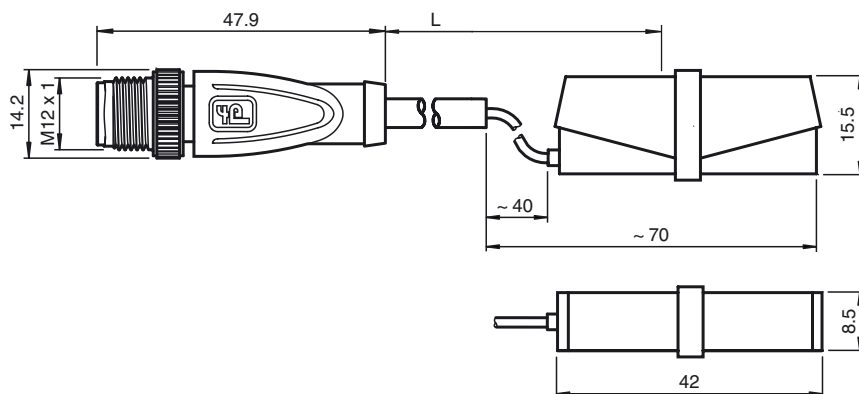
V15S-G-0,3M-PUR-WAGO

Male cordset, M12, 5-pin, PUR cable with WAGO terminals

Features

- Immunity to vibration, with mechanical latching
- Knurled nut suitable for tool assembly
- Gold-plated and machined contacts
- Halogen-free

Dimensions



Technical data

General specifications

Number of pins	5
----------------	---

Electrical specifications

Operating voltage	U_B	max. 60 V DC
Test voltage		> 1500 V _{eff} AC
Operating current	I_B	max. 4 A
Volume resistance		< 5 m Ω

Ambient conditions

Ambient temperature	-40 ... 90 °C (-40 ... 194 °F) cable, fixed: -40 ... 80 °C (-40 ... 176 °F) cable, flexing: -20 ... 80 °C (-4 ... 176 °F)
---------------------	---------------------------------------------------------------------------------------------------------------------------------

Pollution degree	3
------------------	---

Mechanical specifications

Pin diameter	1 mm
Degree of protection	IP20
Connection	WAGO terminal
Material	
Contacts	CuSn / Au
Contact surface	Au
Body	TPU, green
Cable	PUR
Sleeve connector	Diecast zinc
Core insulation	PP
Cable	fine-strand, flexible
Sheath diameter	Ø4.8 mm
Bending radius	> 10 x cable diameter, moving
Color	grey
Cores	5 x 0.34 mm ²
Conductor construction	19 x 0.15 mm Ø
Length	L 0.3 m
Flammability	
Contact carrier	94 HB
Housing	94 V-2

Electrical connection

