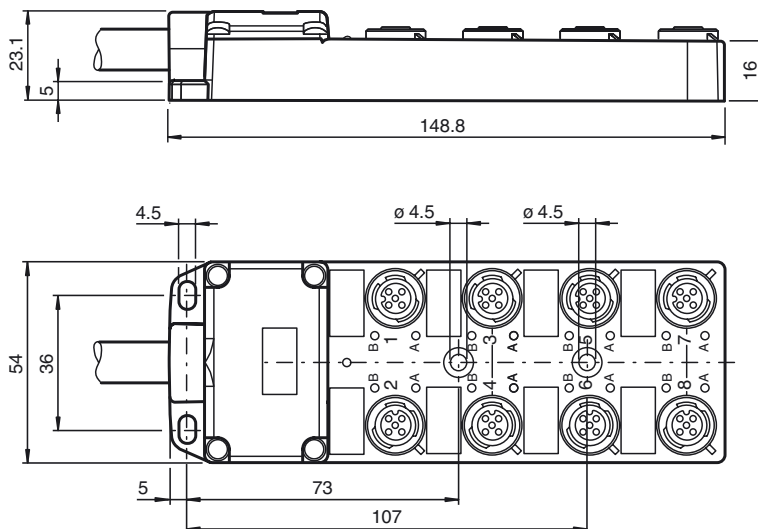




Dimensions



Model Number

V1-8/16A-E2-5M-PUR-V23-G

8-way passive distributor, with M23 plug

Features

- LED indicator for module supply and I/O status
- Degree of protection IP67

Accessories

VAZ-V1-B3

Blind plug for M12 sockets

MH 05-SACB-8

Mounting aid for DIN rail

V15S-T-V15

Y distributor, M12 connector on M12 socket/socket

MH V1-SCREWDRIVER

torque screwdriver (0.4 Nm)

MH V1-BIT M12

plug-in cap M12

Technical data

General specifications

Number of pins 5

Indicators/operating means

LED green supply voltage each module
LED yellow I/O status indication

Electrical specifications

Operating voltage U_B 24 V DC, max. 30 V DC
Operating current I_B ≤ 5 mA per channel indication element
Current loading capacity ≤ 2 A per channel,
 ≤ 4 A per plug-in station,
 ≤ 12 A total current per separator

Ambient conditions

Ambient temperature housing: -25 ... 80 °C (-13 ... 176 °F)
cable, flexing: -5 ... 80 °C (23 ... 176 °F)
cable, fixed: -40 ... 90 °C (-40 ... 194 °F)

Mechanical specifications

Connection type 8 x socket M12 x 1 5-pin
1 x Male connector M23
Degree of protection IP65/IP67
Connection Signal and energy: M23 male connector, 12-pin
Sensor/actuator: 5-pin, M12 x 1 socket

Material

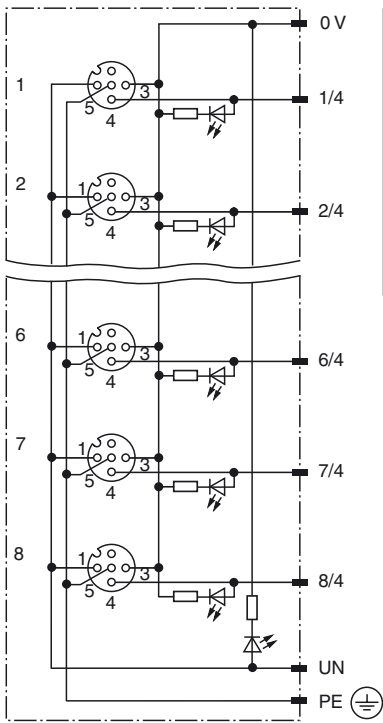
Contacts Cu alloy
Contact surface Au
Housing PBT
Threaded bushings PBT
Cable PUR
Seal O-ring: NBR
Cable flexible
Sheath diameter $\varnothing 10.5$ mm
Color black
Cores 12 x 0.75 mm²
Length L 5 m
Flammability 94 V-0

Compliance with standards and directives

Standard conformity
Degree of protection EN 60529
Flammability UL 94

Release date: 2014-10-30 11:53 Date of issue: 2015-02-05 226537_eng.xml

Electrical connection



Slot/Pin (signal)	Pin M23
1 / 4	1
2 / 4	2
3 / 4	3
4 / 4	4
5 / 4	5
6 / 4	6
7 / 4	7
8 / 4	8
1-8 / 1	11
1-8 / 3	9
1-8 / 5	12

