



CE

Model Number

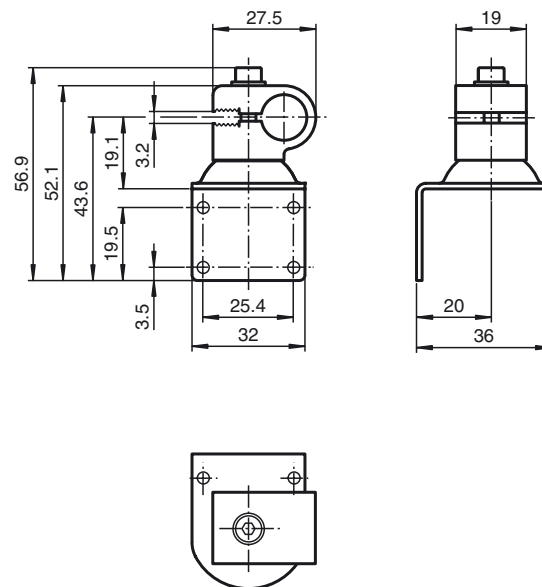
OMH-ML100-03

Mounting aid for round steel \varnothing 12 mm or sheet 1.5 mm ... 3 mm

Features

- Bracket for round steel or sheet
- Simple and fast mounting

Dimensions



Technical data

Mechanical specifications

Material	Stainless steel
Mass	approx. 20 g
Mounting	Mounting accessories included

Suitable series

Series	ML100
--------	-------