



Model number

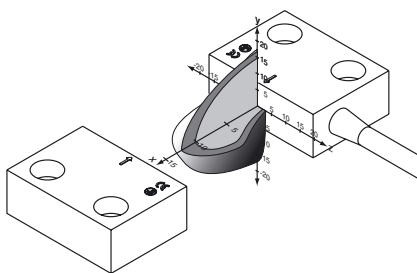
VAA-2E-IER2-S-0,15M-V1

Reed safety switch for non-contact AS-Interface safety switches

Features

- Small plastic housing
- Encapsulated electronics
- Especially suited to small doors and coverings
- Multiple-flush magnet system
- Cable with M12 plug

Operating distance



Accessories

VAZ-T1-FK-G10-V1

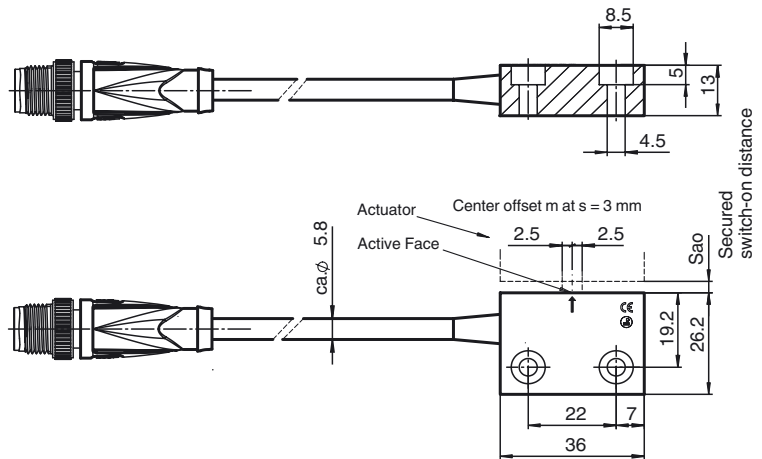
Splitter box G10, AS-Interface to M12

Matching system components

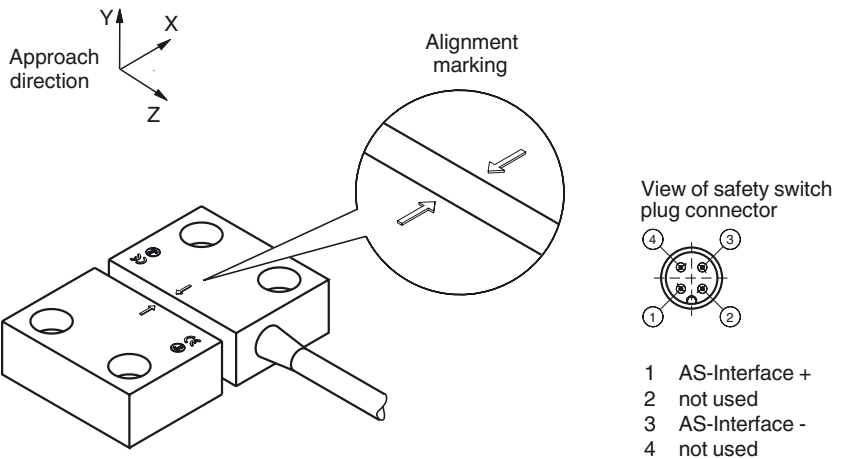
VAZ-IER2-ACTUATOR2-S

Actuator for non-contact AS-Interface Reed safety switch

Dimensions



Indicating / Operating means



Technical data

General specifications

Detection type	magnetic
assured start-up distance	s_{a0} 7 mm
assured release distance	s_{ar} \leq 40 mm
Center offset	m \pm 2.5 mm at distance $s = 3$ mm
Slave type	Safety-Slave
AS-Interface specification	V2.1
Required master specification	\geq V2.0
Response delay	$<$ 5 ms
UL File Number	E155795

Functional safety related parameters

Safety Integrity Level (SIL)	SIL 3
Performance level (PL)	PL e
Mission Time (T_M)	20 a
PFH_d	4.29 E+8

Electrical specifications

Rated operating voltage	U_e 26.5 ... 31.6 V from AS-Interface
Rated operating current	I_e \leq 30 mA
Power supply	via AS-Interface network

Directive conformity

Electromagnetic compatibility	
Directive 2014/30/EU	EN 62026-2:2013 IEC 60947-5-3:1999
Machinery Directive	
Directive 2006/42/EC	EN ISO 12100-1, -2:2003 EN 1088:1995+A2:2008

Standard conformity

Degree of protection	EN 60529:2000
AS-Interface	EN 62026-2:2013

Release date: 2019-01-09 10:20 Date of issue: 2019-01-09 229232_eng.xml

Functional safety	ISO 13849-1:2008 (up to category 3/PL e) EN ISO 12100-1, -2:2003 EN 1088:1995+A2:2008
Programming instructions	
Profile	S-0.B
IO code	0
ID code	B
ID1 code	F
ID2 code	E
Data bits (function via AS-Interface)	Input
D0	dyn. safety code 1
D1	dyn. safety code 1
D2	dyn. safety code 2
D3	dyn. safety code 2
Parameter bits (programmable via AS-i)	
P0	IN1
P1	IN2
P2	IN3
P3	IN4
Ambient conditions	
Ambient temperature	-20 ... 60 °C (-4 ... 140 °F)
Shock and impact resistance	30 g/11 ms
Mechanical specifications	
Degree of protection	IP67
Connection	with fixed cable and M12 connector, 4-pin
Material	
Housing	PPS
Cable	PUR
Installation	any position
Cable length	15 cm
Life span	100 x 10 ⁶ switching cycles

Release date: 2019-01-09 10:20 Date of issue: 2019-01-09 229232_eng.xml