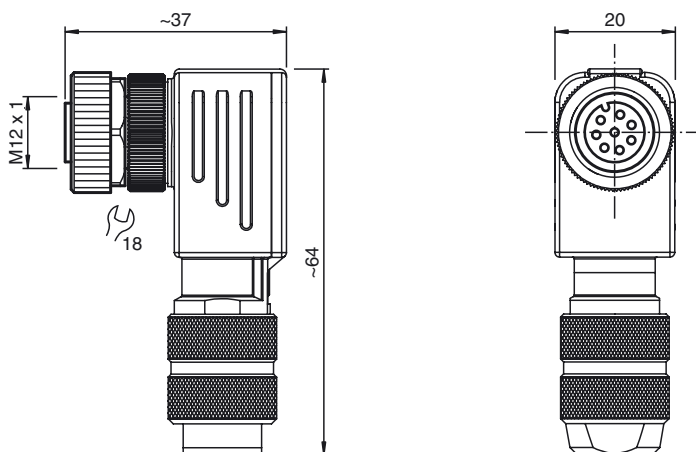




## Dimensions



## Model Number

**V19-W-ABG-PG9**

Female connector, M12, 8-pin,  
shielded, field attachable

## Features

- Screw terminal connection
- Metal locking
- Metal housing
- Iris spring screening
- Gold plated contacts

## Technical data

### General specifications

|                     |             |
|---------------------|-------------|
| Number of pins      | 8           |
| Connection 1        | socket      |
| Construction type 1 | right angle |
| Threading 1         | M12         |

### Electrical specifications

|                   |       |                 |
|-------------------|-------|-----------------|
| Operating voltage | $U_B$ | max. 30 V AC/DC |
| Operating current | $I_B$ | max. 2 A        |
| Volume resistance |       | < 3 m $\Omega$  |

### Ambient conditions

|                     |                                |
|---------------------|--------------------------------|
| Ambient temperature | -40 ... 85 °C (-40 ... 185 °F) |
| Pollution degree    | 3                              |

### Mechanical specifications

|                      |  |
|----------------------|--|
| Degree of protection | IP67   |
| Connection           | Screw terminals for max. 0.75 mm <sup>2</sup><br>PG9 cable gland |

### Material

|                 |                                 |
|-----------------|---------------------------------|
| Contacts        | CuZn                            |
| Contact surface | Au                              |
| Body            | Zinc die-casting, nickel-plated |
| Slotted nut     | Zinc die-casting, nickel-plated |
| Cable           |                                 |
| Sheath diameter | 5 ... 8 mm                      |

## Electrical connection

