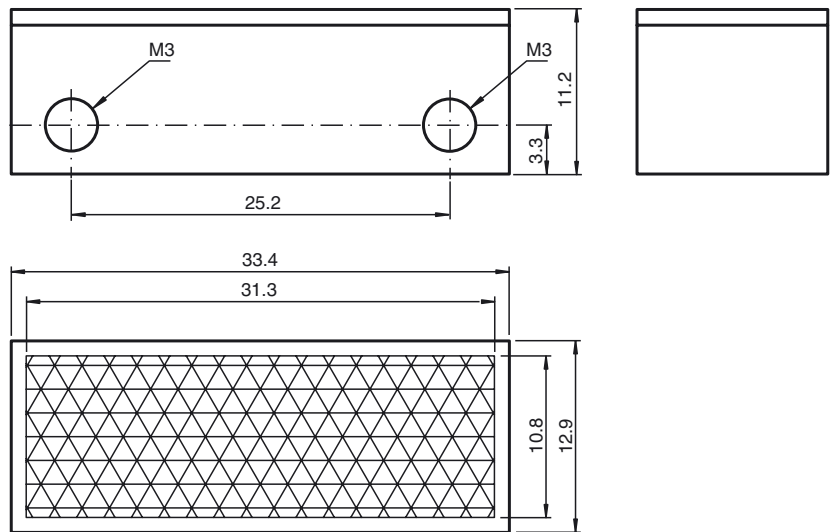


## Dimensions



### Model Number

**REF-H33**

Reflector with screw fixing

### Features

- M3 metal threaded insert

Threading M3

Threading M3

### Accessories

#### OMH-10

Mounting aid

#### OMH-ML100-01

Mounting aid for ML100 series, Mounting bracket

#### OMH-ML100-03

Mounting aid for round steel  $\varnothing$  12 mm or sheet 1.5 mm ... 3 mm

#### OMH-ML100-04

Mounting aid for ML100 series, Mounting bracket

#### OMH-ML100-05

Mounting aid for ML100 series, Mounting bracket

### Technical data

#### General specifications

Construction type rectangular

#### Ambient conditions

Ambient temperature -25 ... 65 °C (-13 ... 149 °F)

#### Mechanical specifications

Material PMMA/ABS  
 Dimensions 33.3 mm x 12.8 mm x 11 mm  
 Mounting M3 metal threaded insert