



### Model Number

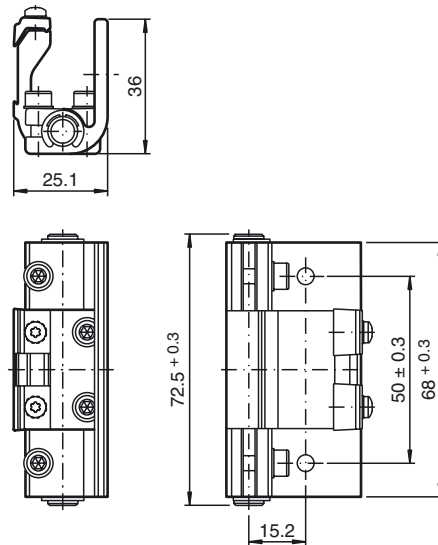
**OMH-SLCT-05**

Mounting bracket including adjustment

### Features

- Mounting bracket
- Large swivel range  $-7^\circ \dots +110^\circ$
- Sturdy construction
- Simple and fast mounting

### Dimensions



### Technical data

#### General specifications

Setting angle	$-7 \dots 110^\circ$
---------------	----------------------

#### Mechanical specifications

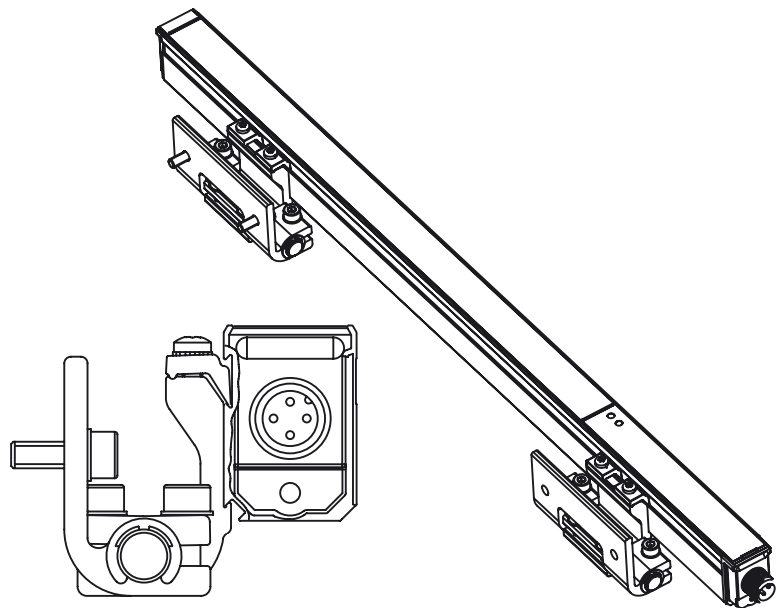
Material	Aluminum
Mass	approx. 87 g

#### General information

Scope of delivery	Mounting bracket ; 1 Slotted plate ; 4 T-slides ; Screw kit
-------------------	---

#### Suitable series

Safety Series	SLCT SLCS
---------------	--------------

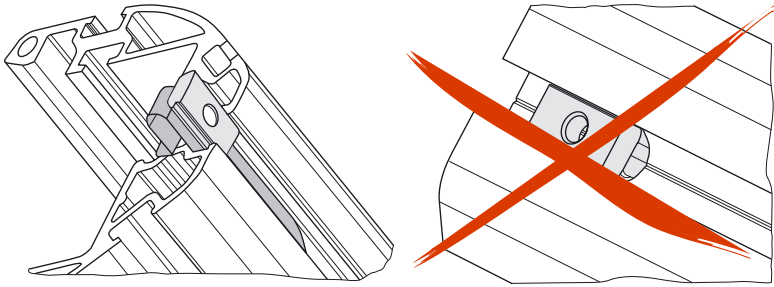


### Slotted plate mounting aid

Each package comes with a slotted plate.

To prevent the t-slides from clipping into the upper hole, cover the hole with the slotted plate.

Then slide the t-slides into the guide.



Release date: 2017-09-27 16:44 Date of issue: 2017-09-27 23:460\_eng.xml